

α

5600

4800

THE α Series

No compromises

Alpha guarantees an excellent design, outstanding technique and well thought-out functionality.

Designer solariums, which turn every salon into something extraordinary.

α

5600 Alpha

**Elegant, modern
and unique**

The 5600 possesses everything,
a modern solarium needs.

Its distinctive design creates the
right atmosphere in your salon.





Facial tanner

The 5600 features the facial tanners pureFacials. Specially developed reflectors for a perfect power distribution.



4800 Alpha

Love for detail

The 4800 alpha explains the tanning without further ado for a pure pleasure of light and life. In every way a real KBL.





α

5600 4800

Service & Facts

Comfortable service



steady



easy to use



comfortDetail



serviceLight



permanentFilter



easyClean



quickLock

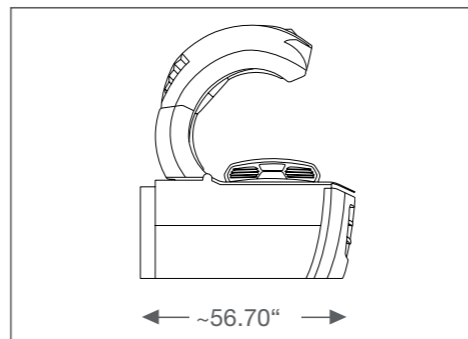
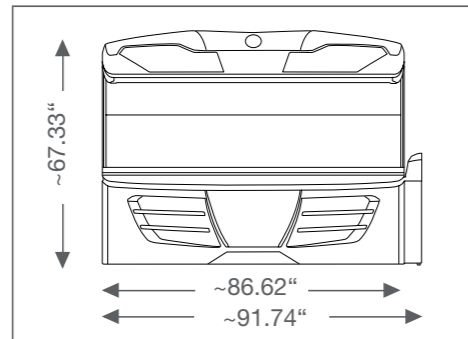
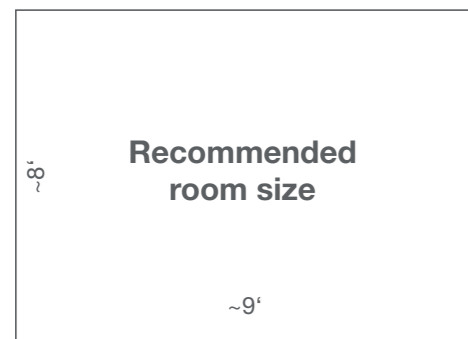
4800 Alpha

- Canopy:** 20 x 160 W pureSunlight lamps (180 cm)
2 x 200 W extraSunlight lamps
3 x 500 W pureFacials, adjustable
- Bench:** 16 x 180 W pureSunlight lamps (190 cm)



Unit Dimension L x B x H

closed: ~53.94" x ~91.74" x ~62.21"
open: ~67.33" x ~91.74" x ~56.70"



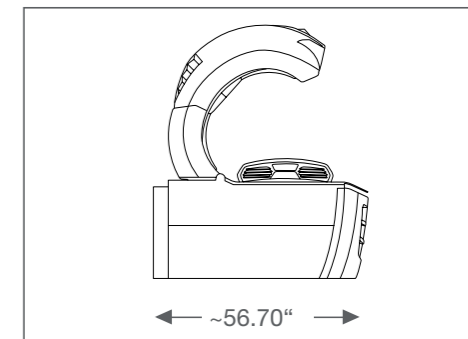
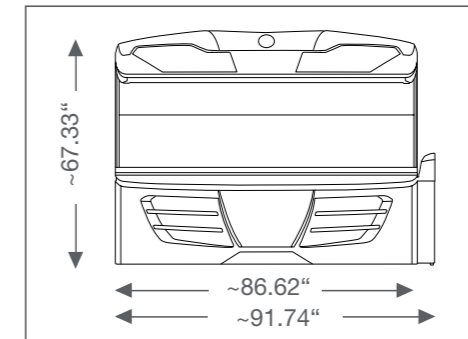
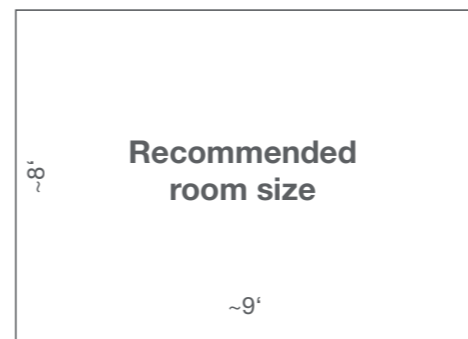
5600 Alpha

- Canopy:** 24 x 160 W pureSunlight lamps (180 cm)
2 x 200 W extraSunlight lamps
4 x 500 W pureFacials, adjustable
- Bench:** 16 x 180 W pureSunlight lamps (190 cm)



Unit Dimension L x B x H

closed: ~53.94" x ~91.74" x ~62.21"
open: ~67.33" x ~91.74" x ~56.70"





KBL GmbH – The Beauty & Health Company · Ringstraße 24-26 · 56307 Dernbach/Germany
fon +49 (0)2689.9426-0 · fax +49 (0)2689.9426-66 · e-mail sales_northamerica@kbl.de

www.kbl-usa.com

© Copyright 2019 KBL GmbH, Germany · KBL GmbH reserves the right to change technical data or specifications without notice.

Contraindication: This product is contraindicated for use on persons under the age of 18 years. “Contraindication: This product must not be used if skin lesions or open wounds are present.”

“Warning: This product should not be used on individuals who have had skin cancer or have a family history of skin cancer.”

“Warning: Persons repeatedly exposed to UV radiation should be regularly evaluated for skin cancer.