

TOWER



World of Towers

Our towers create their own world of solariums. They provide all bells and whistles which you can expect from a modern tanning bed and are particularly space-saving.





Maximum Power, technology and design.

Translucent ceiling lighting and eye-catching exterior.
Exclusive and sensational features, as well as the most powerful
performance.



pure ENERGY 5.0





space 2000

Open sky

The open canopy offers more air, more space and more comfort.

- Fresh air through direct supply from the outside
- More flexibility in the height through the free space in the canopy
- Spacious feeling through the open top

Space with fascination.

The space 2000 impresses its users elegantly, comfortably and in a fascinating way with high-quality materials and its attracting illumination. Top notch components and the integrated exhaust air system ensure a quiet relaxing tanning session.



World of Innovations



Innovations



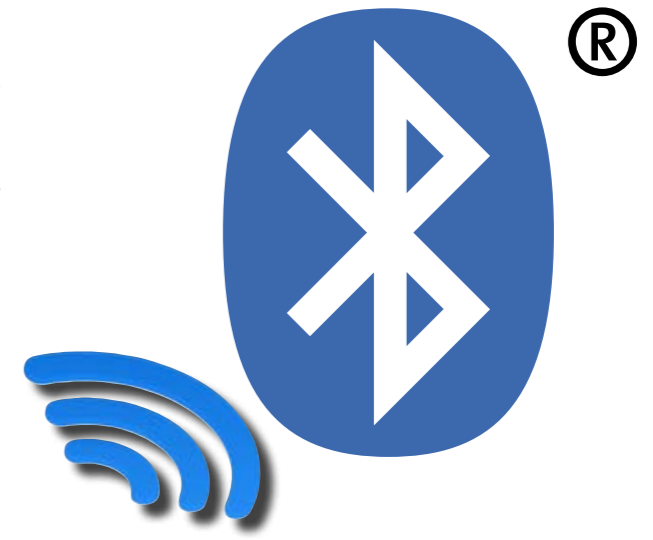
colorMotion

colorMotion

Individual color design –
Use colorMotion to illuminate your
studio in different colors.

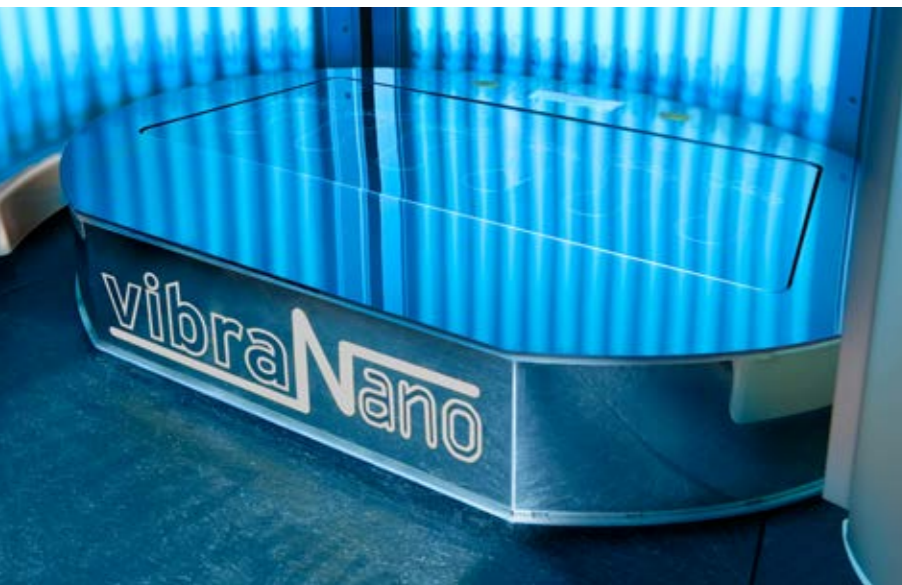
Bluetooth® 4.0

My music – my playlist! Bluetooth®
makes it happen and creates
independently a connection to your
smartphone.



aquaCool

Literally pure energy! aquaCool refreshes
with a pleasant fine water mist
during the tanning session.



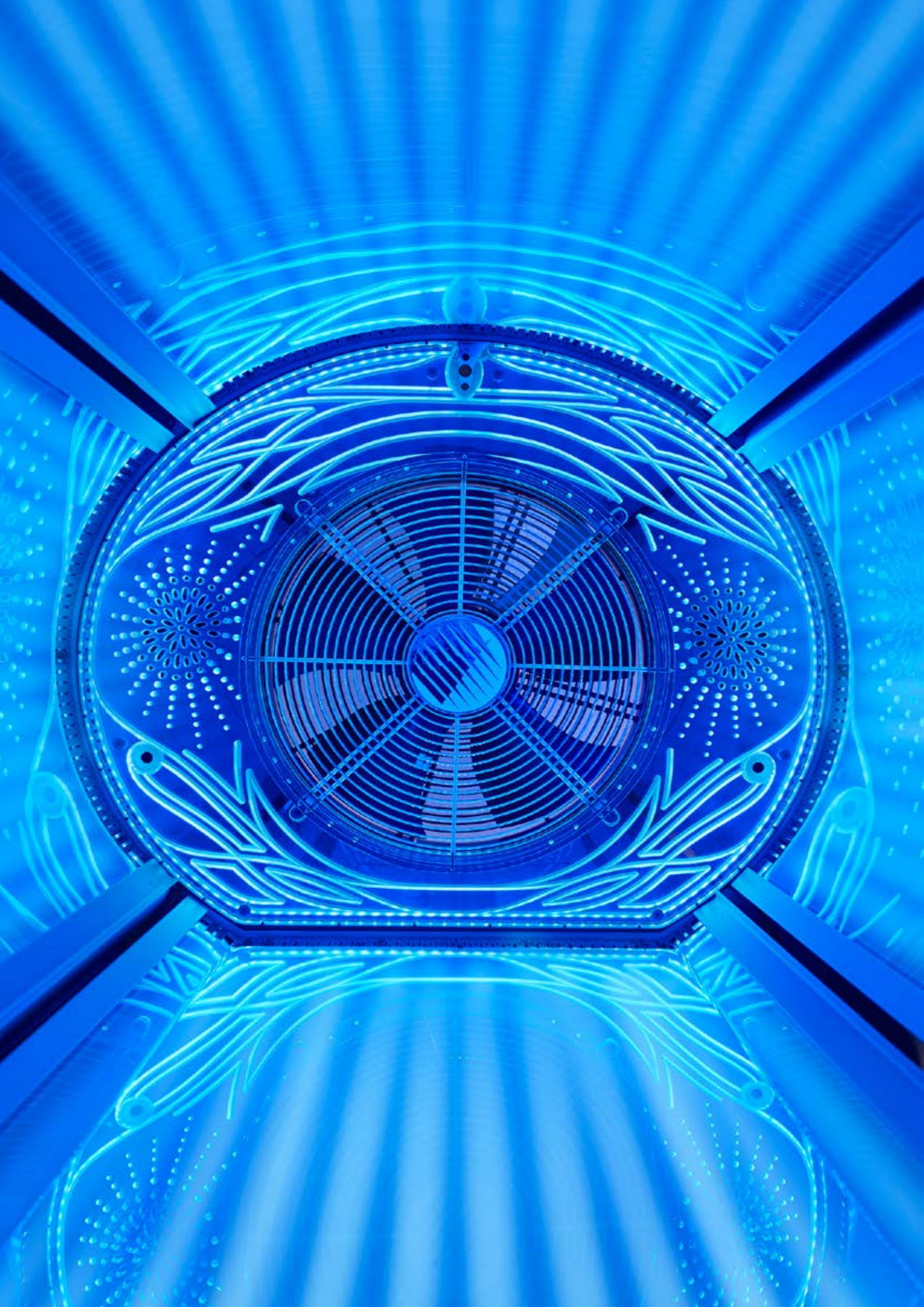
vibraNano

Offer your customers a short workout
during their tanning session.
The vibraNano trains the abdomen,
legs and buttocks joint-friendly in
only 10 minutes.

aroma

A touch of luxury comes from the pleasant
aroma fragrance which is only slightly
perceptible but, nevertheless, still there.
Lay back, relax, enjoy!





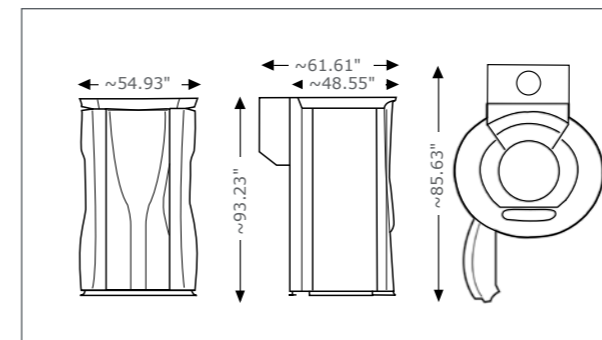
pureEnergy 5.0

52 x 200 W (200 cm) pureSunlight lamps



Unit Dimension L x B x H

closed: ~54.93" x ~61.61" x ~93.23"
 open: ~54.93" x ~85.63" x ~93.23"



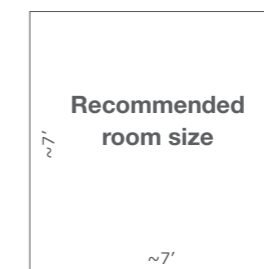
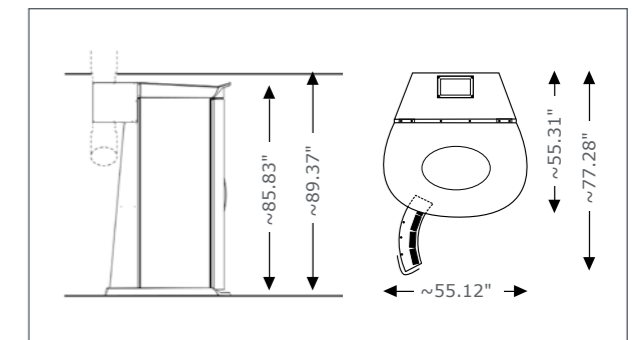
space 2000

50 x 180 W (190 cm) pureSunlight lamps



Unit Dimension L x B x H

closed: ~55.12" x ~55.31" x ~89.37"
 open: ~55.12" x ~77.28" x ~89.37"





KBL GmbH – The Beauty & Health Company · Ringstraße 24-26 · 56307 Dernbach/Germany
fon +49 (0)26 89.94 26 - 0 · fax +49 (0)26 89.94 26 - 66 · e-mail sales_northamerica@kbl.de

www.kbl-usa.com

© Copyright 2019 KBL GmbH, Germany · KBL GmbH reserves the right to change technical data or specifications without notice.

Contraindication: This product is contraindicated for use on persons under the age of 18 years. “Contraindication: This product must not be used if skin lesions or open wounds are present.” “Warning: This product should not be used on individuals who have had skin cancer or have a family history of skin cancer.”

“Warning: Persons repeatedly exposed to UV radiation should be regularly evaluated for skin cancer.