

P9 extraSun



TECHNICAL SPECIFICATIONS



Design by
STUDIO F·A·PORSCHE

LAMPS

CANOPY

16x pureSunlight

- max. 200W
- Art.Nr.: 3230076175

4x extraSunlight

- max. 200W
- Art.Nr.: 3230076173

SIDE

4x pureSunlight

- max. 200W
- Art.Nr.: 3230076175

2x extraSunlight

- max. 200W
- Art.Nr.: 3230076173

BASE

24x pureSunlight

- max. 200W
- Art.Nr.: 3230074740

FACIALS

4x megaLine HP 800

- Art.Nr.: 4230320000

SHOULDER TANNER

2x MS250

- Art.Nr.: 3200224000

BEAUTY BOOSTER

70x Beauty Booster HyperRed





Matrix Light



Wireless Charging



Intelligent Control System



Easy Control



Pure Facials



Beauty Booster HyperRed



Pure Sunlight



Extra Sunlight



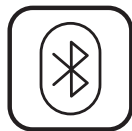
X-Tra Tan



Sound System



Mega Voice



Bluetooth



Aqua Cool



Aroma



Air Condition

P9 extraSun

Power consumption: 11 kW/14,5 kW

Weight: 1477 lbs (with air conditioning)

Bed pane: max. load capacity: 330 lbs

ELECTRICAL CONNECTION VALUES

Protective class: IP20

Mains voltage: 3-phase: 3 x 220 V / ~ / 60 Hz

Wire cross section: 3-phase: 4 x AWG6

THHN cable in a isolation tubing (e.g. flexible metallic conduit, utilizing appropriate connectors)

Breaker: 3-phase: 3 x 50 A

CENTRAL EXHAUST AIR:

Fan / blower: Exhaust-air socket Ø 300mm (~11,81 inch) -- 84,65 inch (top)

Minimum exhaust air flow rate: 2250m³/h (594400 gal/hour)

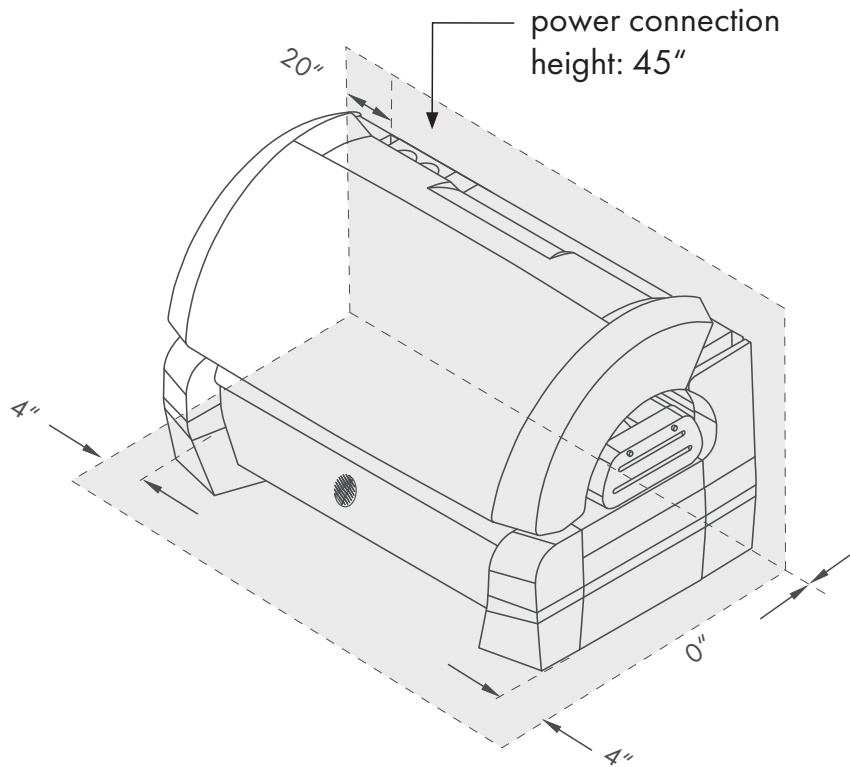
Exhaust air duct hose: Ø 300 mm (~11,81 inch)

MEASUREMENTS

in inches (height x width x depth): 62,88" x 94,37" x 59,14" (closed)

78,67" x 94,37" x ~9,14" (open)

Height with exhaust: 84,65"



power connection
height: 45"

20"

4"

0"

4"