

P9S hybridSun



THE FUTURE
OF SUNSHINE



Design by
STUDIO F·A·PORSCHE

LAMPS

CANOPY

14x pureSunlight

- max. 200W
- Art.Nr.: 3230076176

6x smartSunlight

- max. 200W
- Art.Nr.: 3230076177

SIDE

4x pureSunlight

- max. 200W
- Art.Nr.: 3230076176

2x smartSunlight

- max. 200W
- Art.Nr.: 3230076177

BASE

16x pureSunlight

- max. 200W
- Art.Nr.: 3230076178

8x smartSunlight

- max. 200W
- Art.Nr.: 3230076172

FACIALS

3x extraSunlight 8W

- Art.Nr.: 3230076196

4x SunSphere Facials

- Art.Nr.: 9113005078

SHOULDER TANNER

1x SunSphere Shoulders L

1x SunSphere Shoulders R

- Art.Nr.: 9113005101

- Art.Nr.: 9113005102

BEAUTY BOOSTER

40x Beauty Booster HyperRed





Matrix Light



Wireless Charging



Intelligent Control System



Easy Control



SunSphere Facials



Beauty Booster HyperRed



Pure Sunlight



Smart Sunlight



SunSphere Shoulders



Sound System



Mega Voice



Bluetooth



Aqua Cool



Aroma



Air Condition

P9S hybridSun

Power consumption: 11,2 kW/12,46 kW

Weight: 1477 lbs (with air conditioning)

Bed pane: max. load capacity: 330 lbs

ELEKTRISCHE WERTE ANSCHLUSS

Protective class: IP20

Mains voltage: 3-phase: 3 x 220 V / ~ / 60 Hz

Wire cross section: 3-phase: 4 x AWG6

THHN cable in a isolation tubing (e.g. flexible metallic conduit, utilizing appropriate connectors)

Breaker: 3-phase: 3 x 50 A

CENTRAL EXHAUST AIR:

Fan / blower: Exhaust-air socket Ø 300mm (~11,81 inch) -- 84,65 inch (top)

Minimum exhaust air flow rate: 2250m³/h (594400 gal/hour)

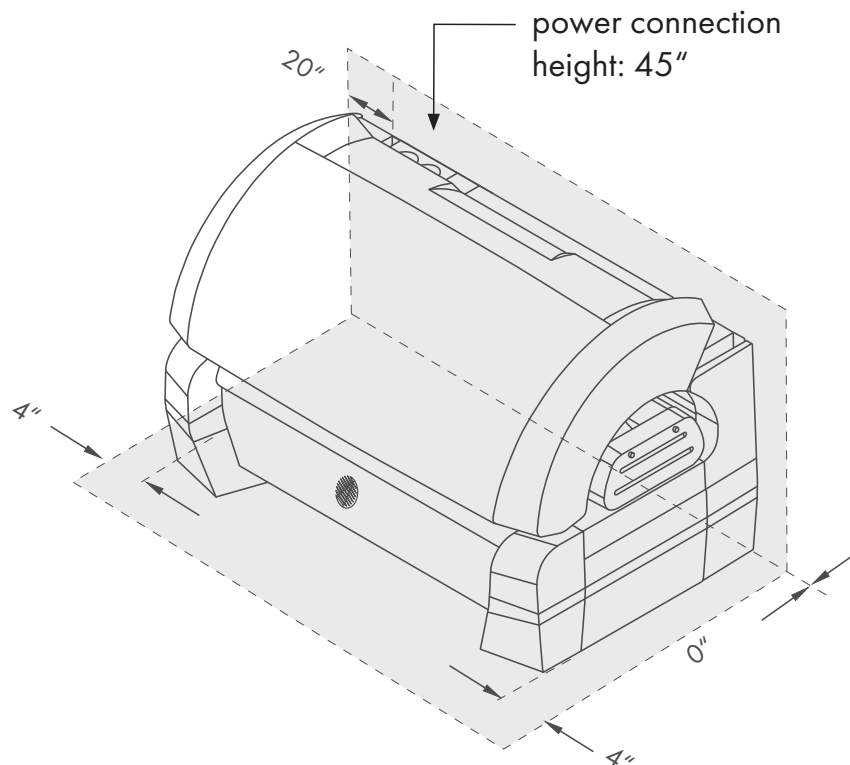
Exhaust air duct hose: Ø 300 mm (~11,81 inch)

MEASUREMENTS

in inches (height x width x depth): 62,88" x 94,37" x 60,32" (closed)

78,67" x 94,37" x 59,14" (open)

Height with exhaust: 84,65"



Smart Sunlight