



ULTRASUN
RECHARGE YOURSELF

Q14

FULLY EQUIPPED WITH

ELECTRONIC BALLASTS

IQ TOUCH CONTROL INSIDE



ULTRASUN Q14

MANUAL 2020-2021

WARNINGS : PLEASE READ THIS CAREFULLY



- Read the instructions before using this product or consult the attendant for further information.
- The power supply must be fused with a time-lag fuse.
- The supply voltage (V) and frequency (Hz) must agree with the information given on the machine type plate. A copy is on the backside of this manual.
- Before servicing this equipment or changing lamps, remove the power supply cord or isolate from main supply.
- This equipment must have an earth connection.
- Never use this machine when the timer is faulty.
- Do not use this machine when the airhose is not connected.
- Never use this machine when one of the filters of the facial(s) is broken or removed. You must check this before use. When during use one of the filter(s) breaks, stop this machine immediately. A bluefilter is broken when some white light appears through the 'blue' light. It is possible this is weak white light, but it can also be clear white light.
- This device is intended to be used by one person at a time!
- Make sure there is at least 10 cm / 5 inches space between the machine and the walls/ceilings to ensure proper ventilation.
- Never use this device, if one or all of the acrylics are broken or removed. Check this for each tanning session.
- This machine may not be operated if the temperature inside the tanning cabin is 30° C / 86° F or higher.
- Always use the protective sunglasses provided!
- In order to keep your Ultrasun machine in compliance with the standard, you have to make sure to change lamps, components and accessories with original lamps, components and accessories only. Otherwise guarantee will be taken off as well as any responsibility and any liability.
- Water and electricity are a dangerous combination. Do not place your Ultrasun in a humid room or near water facilities like a shower or swimming pool.
- This machine is equipped with an automatic security system against overheating. In case there is insufficient ventilation (because the ventilating shafts of the machine are covered or the ventilation in the room does not function optimally) the appliance will automatically switch itself off. When the machine has cooled down, the machine will automatically switch itself on again. However, you should always examine what the cause was that the machine switched off!
- The appliance is not to be used by children or people with reduced physical, sensory or mental capabilities, or lack of experience and knowledge, unless they have been given supervision or instruction.
- Children should be supervised to ensure that they do not play with the appliance.
- Read also the tanning rules on page 17 and 18.



AM 30

Content

WARNING	2
CONTENT	3
EXPLAINING THE ICONS	4
(DIS)ASSEMBLY OF THE Q14	5
CONNECTING THE REMOTE CONTROL	10
AUDIOCONNECTIONS (OPTION)	11
VOICE GUIDE, WELLNESS SOUND AND BLUETOOTH (OPTION)	12
RGB LED CONTROLLER WITH IR DISTANCE CONTROL	13
ASSEMBLY OF THE AIRCONDITIONING (OPTION)	14
THE BREEZE/AROMA UNIT (OPTION)	15
EXPOSURE SCHEDULE AND INSTRUCTIONS	17
CHANGING LAMPS AND FACIAL BULBS	19
TROUBLESHOOTING	20
MAINTENANCE	21
SERVICE PARTS	21
CLEANING THE AIRCO AIR FILTER (OPTION)	23
TECHNICAL PRODUCT INFORMATION	24
DIMENSIONS Q14	25
DECLARATION OF CONFORMITY	27
CONTACT AND IDENTIFICATION	28

You have just chosen for a product from the Ultrasun range.

You have made an excellent choice.

By this purchase you have chosen for a product which has been carefully manufactured from high quality parts which have been tested completely and have been checked fully after manufacturing. We advise you to carefully read through this user manual so you can use the sunbed safely and with many years of pleasure. During the development of our professional sunbeds, the specific desires of our customers have been taken into account. If you still have questions about or suggestions for our sunbeds, please do not hesitate to contact us.

Please check if the serial number plate at the back side of this user manual resembles the serial number plate at the back of the sunbed.

Ultrasun spends a lot of time and attention on the development and improvement of the delivered products. Ultrasun holds the right to make changes without informing you previously.

We hope you enjoy your purchased sunbed.

The Ultrasun team.

Explaining The Icons



Remove the plug from the wall socket when working on the sunbed.



Attention: Dangerous electrical voltage.



Have a specialized fitter fix, repair or work on the sunbed.



Many parts can be recycled, so keep them separate and do not dispose of them.



Attention: Danger, read the instructions carefully and follow the directions.



Attention: Ultraviolet radiation: always wear eye protection when exposed to UV light and read the corresponding warning texts.

This user manual contains all instructions of your Ultrasun Q14 and contains information about all the possible options which you can have on your Q14. If these options are not relevant to your sunbed, then you can skip the chapters indicated as “**option**”. The options are indicated with an “ * ” in the texts.

The user manual of your Q14 consists of this user manual and a separate user manual for the IQ Touch Control timer part. The electrical scheme of this sunbed is delivered separately.

Always choose the user manual that has the grey sunbed identification sticker on the backside. Always keep this user manual close to the sunbed.

- Check if the packaging is in the original state and report possible damages directly to your transporter. Especially look for possible dents, cracks or water damage on the outside of the packaging.
- Get all separate parts out of the packaging. Check directly if all parts are present and undamaged.
- May one of these control checks not suffice these requirements, report this as soon as possible to your Ultrasun distributor.

(Dis)assembly Of The Q14



This sunbed is, once delivered, partially pre-build. For completion of the assembly of the sunbed, assemble the front cover of the bed (Fig. 8:R) and the shoulder tanner (Fig. 6) according to the instructions.

To transport the complete sunbed to its final destination, it is possible to disassemble the sunbed or parts of it. For completing the assembly of the sunbed, please follow the instructions.

NOTE: Always disconnect the power supply before disassembling and during assembling

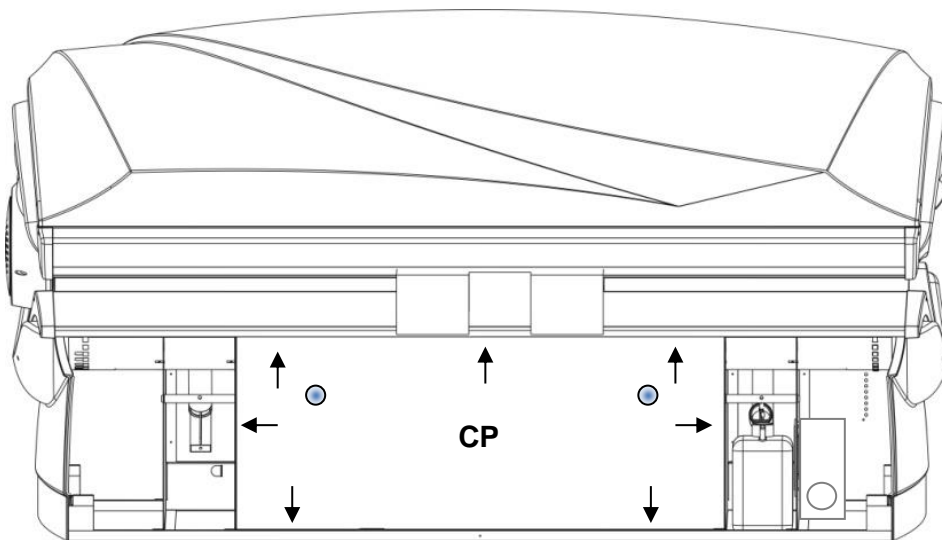


Fig. 1

Take all loose parts out of the packaging.

Remove the 7 screws (see arrows in Fig.1) from the blanking plate (Fig.1:CP) and pull the blanking plate while holding it via its handles to the front, so the space with technical parts becomes visible (Fig. 2).

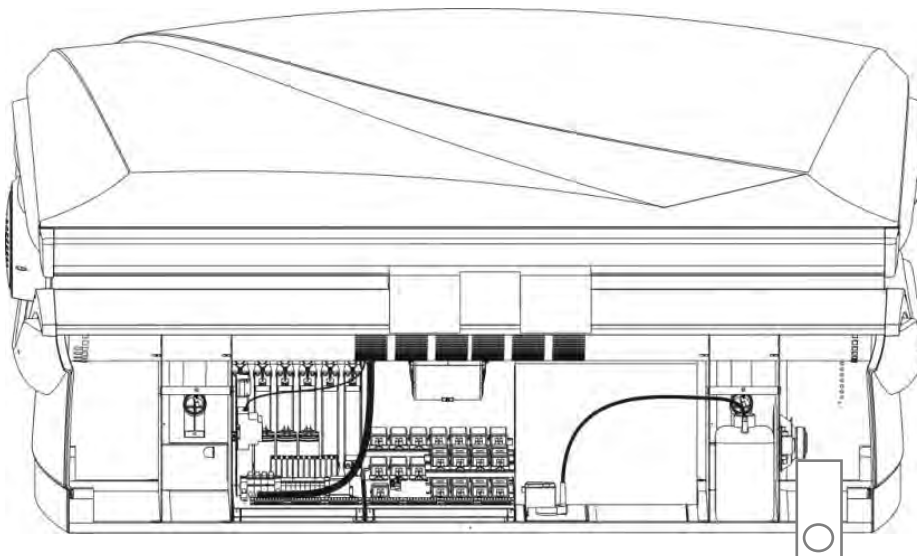


Fig. 2

Disconnect the power supply cable from the supply block (Fig. 2 and Fig. 6:X11) and disconnect all plugs and connections from the two ballast trays and from the air-conditioning unit*. Remove the screws out of the metal connecting strip at the front side of the ballast trays. The ballast trays can now be taken out by pulling them to the front and the air-conditioning unit* can be disassembled, read the chapter about air-conditioning*.

Remove the 4 screws (Fig. 3:4S) from the small metal plate where the cables go through and take all the cables which are connected to the top of the sunbed through this backside of the bed.

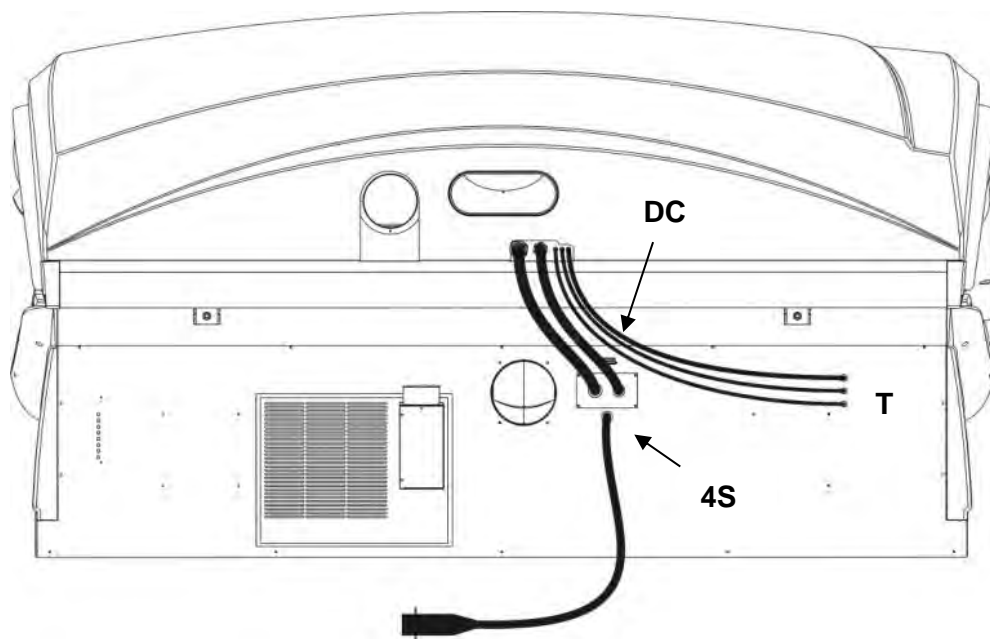


Fig. 3

Hold the top of the sunbed (Fig.4) in its highest position. Now the top can be lifted by its long aluminium profiles, by 4 people (one on every corner). Do not lift up the top by its synthetic side parts, these can get damaged! Carefully place the top on the solid ground with its back supporting on the two pipes (Fig.4:8) and the front on a piece of Styrofoam (Fig.4:P), which originally was placed between the top and bed in the packaging.

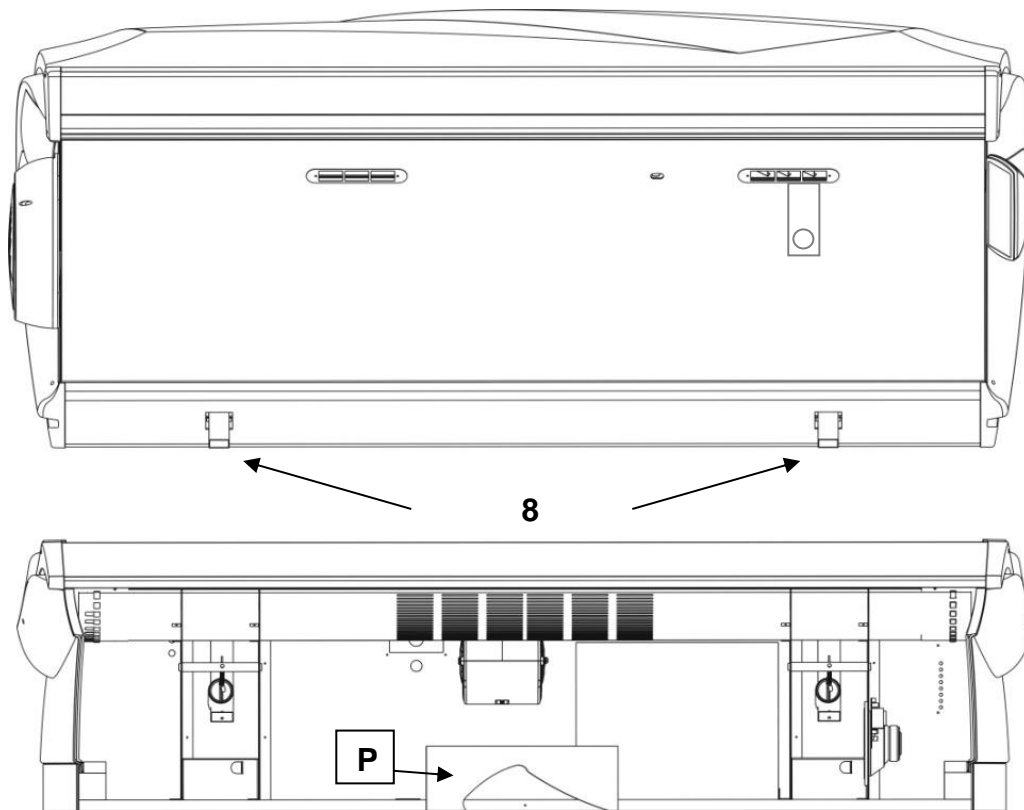


Fig. 4

Now transport the bed to its desired location. The machine is to be assembled in the reversed way. Lift up the top with 4 people, so that the 2 pipes of the top (Fig. 4:8) slide into the two pipes of the bed.

Disassemble the backside of the shouldertanner by removing the 4 screws. Attach the shouldertanner to the right side of the sunbed (Fig. 5:SB) with the preassembled (remove these first) bolts. Connect the plug of the shouldertanner to the build-in female plug, which is situated in the right side of the bed. Connect the audioconnections* and assemble the backside again to the shouldertanner.

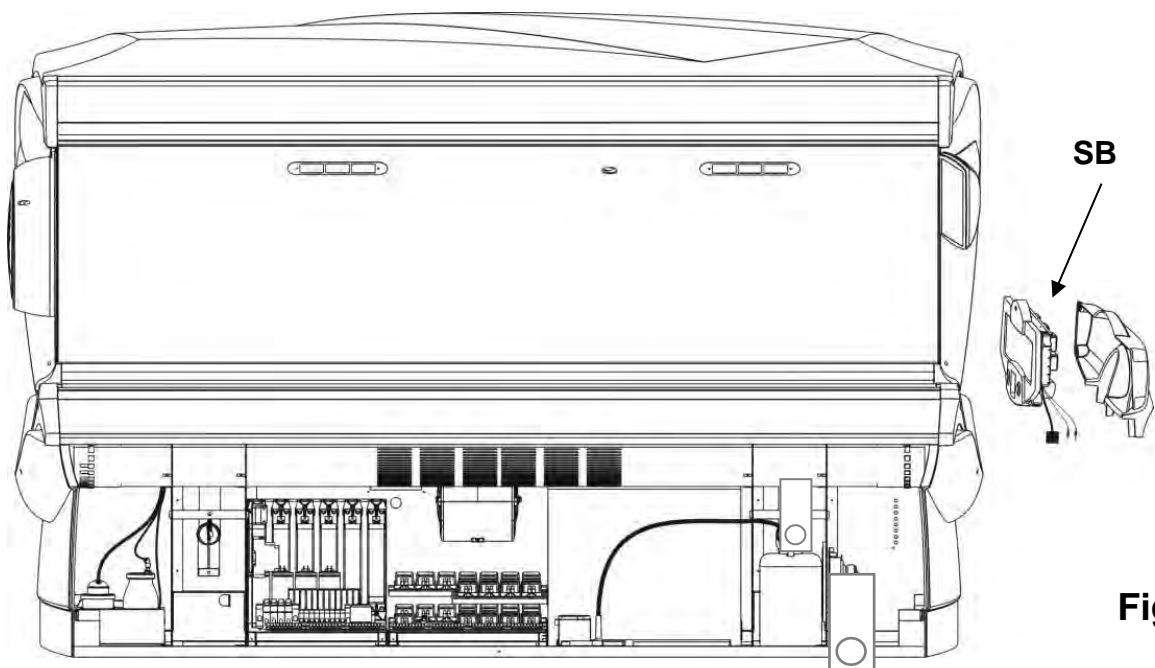
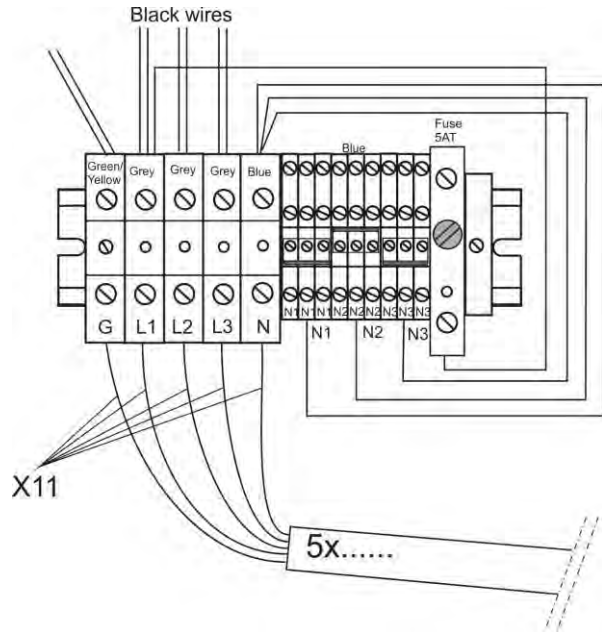


Fig. 5

Replace the ballast trays, airconditioning unit* and other parts which were disassembled to their original location and connect everything in the exact way as it was before disassembly. Also connect the power supply line (Fig. 6:X11) to the connection bloc. Maintain the following colour coding:



X11	Colour	Function
G	Yellow/green	Earth
L1	Brown	Phase
L2	Black	Phase
L3	Grey	Phase
N	Blue	Neutral



Fig. 6

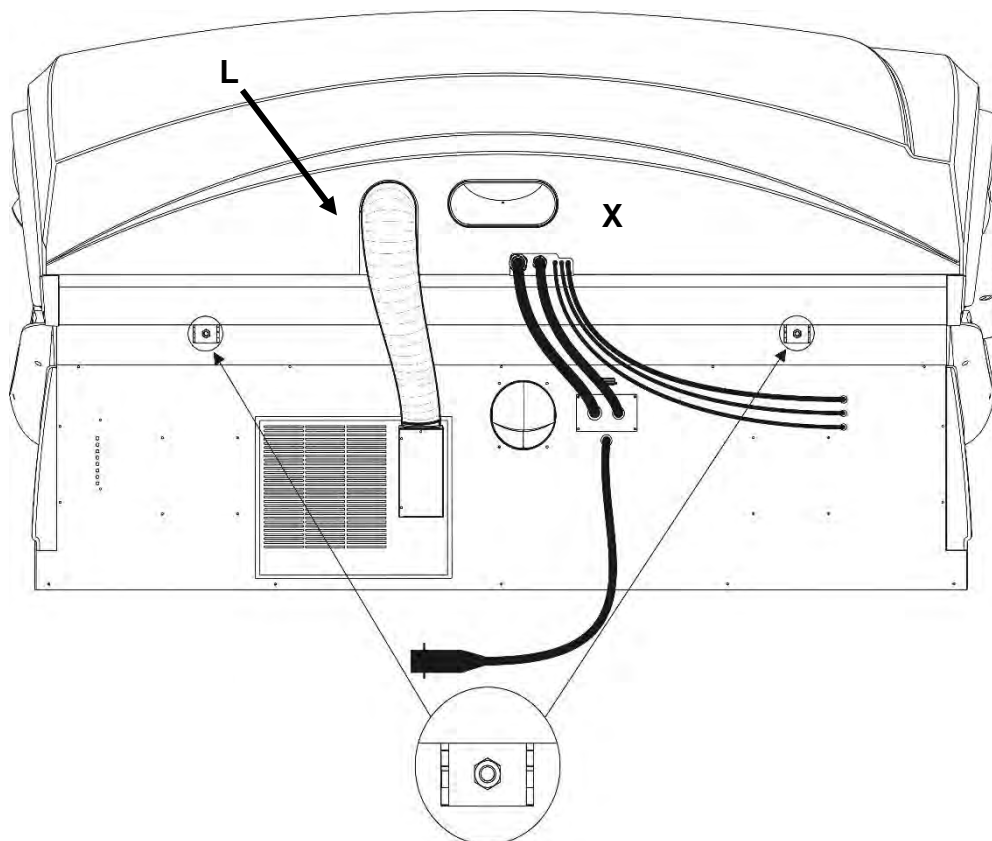


Fig. 7

ATTENTION: You must secure the pipes of the top and bed with the 2 provided Allen bolts. At the backside of the base, right below each pipe, is a little hole where you can secure the Allen bolts in the pipes (Fig.7:X) with an Hex key (not provided).



Assemble the metal cover plate (Fig. 1:CP) and hereafter attach the synthetic cover to the front with the 2 supplied screws (Fig. 8: 2 x R). Connect the supplied, flexible hoses for the benefit of the air outlet of the bed and the top (\varnothing 150mm and \varnothing 200mm). Note that these outlets are not being obstructed and that sufficient fresh air can go inwards. Your sunbed is now ready for use.

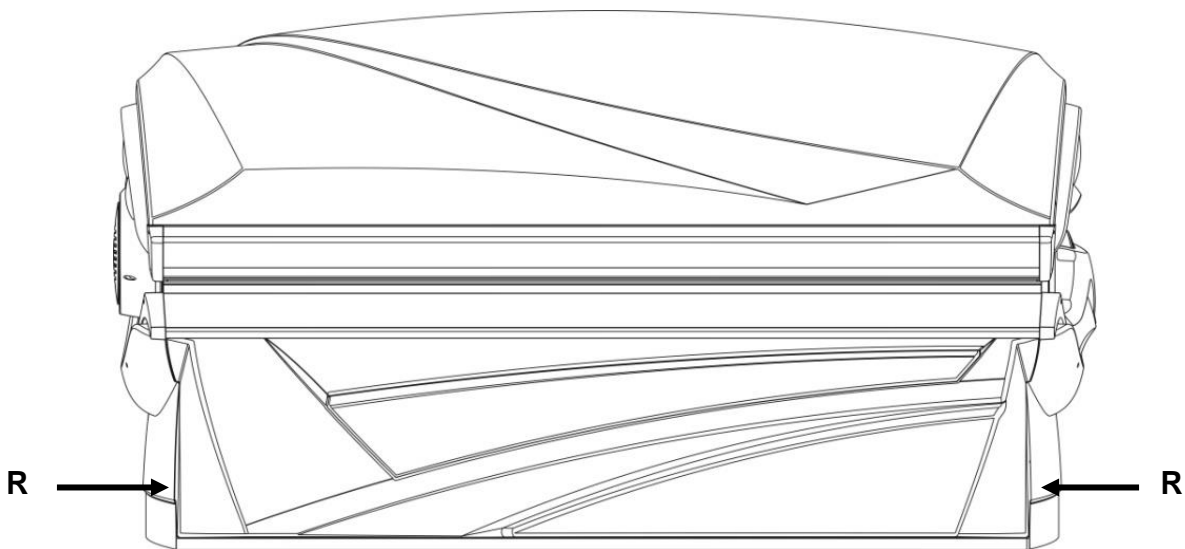


Fig. 8

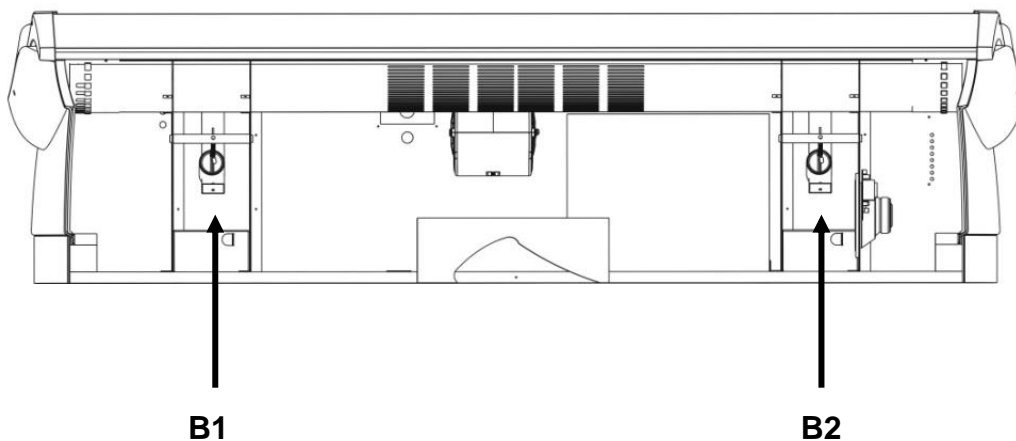


Fig. 9

In case after assembly or after a period of time it turns out that the top does not stay in every required position, the possibility exist to readjust the spring coils (Fig.9:B1 and B2). Make sure that both spring coils are visible and turn them up to the desired result (tighter is faster, the top will not lower by itself. Turning them loose results in that the top will not go up by itself.

Connecting The Remote Control

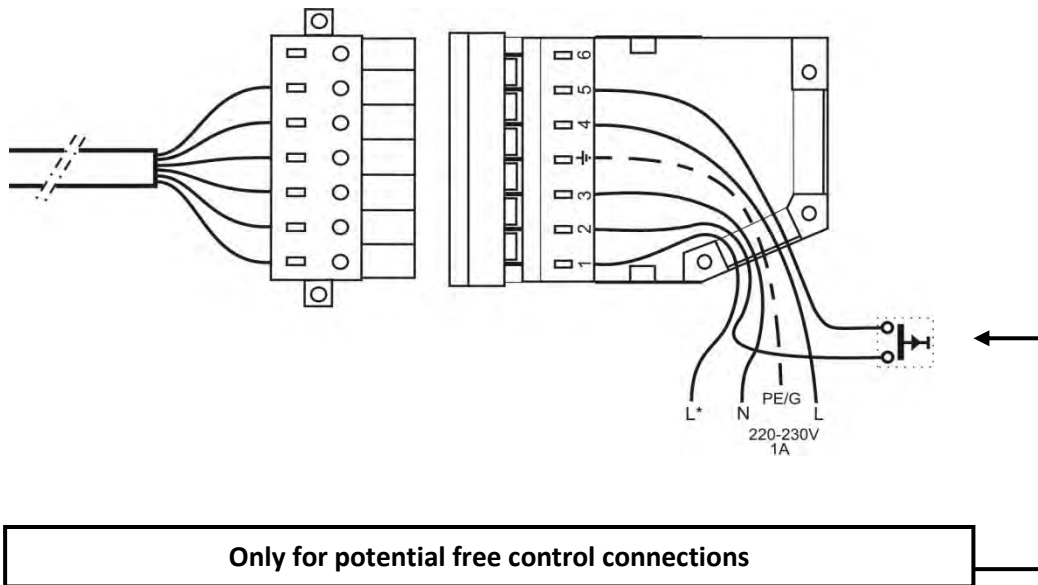


Fig. 10

At the backside of the solarium, the connector for the remote control is located (Fig.3:DC). The connections resemble the figure (Fig.10).

Note: The only purpose of this connection is for controlling the solarium by means of a coinbox or a remote control with a potential free switch or contact.

The counterproductive plug can be connected to your control box, timer or coin box.

An incorrect connection of the connector can lead to damage to the parts of the sunbed.

In case you would like to make use of a potential free switch or contact, the parameter P021 of the IQ Touch Control needs to be changed to P021:01 or P021:02 depending upon the application. For this, please read the user manual of the particular remote control you want to use. The 220-230V connection is only intended as an exit for connecting the electronics in a remote control (for example a Paytronic coin box) with a maximal current consumption of 1,0 ampere.

The exit L* delivers 230V in case the machine is turned on. This connection can be used by applications like feedback signal or occupied signal. Always note that during assembly the plug is connected in accordance to the manufacturing method (the smooth and ribbed side must be in accordance with each other).

In case larger distances must be bridged or in case disturbances in the pipes arise, the possibility exists to place an Opto-box (Ultrasun article number 3T0480) between the remote control pipes.

Attention: Never use this remote control connection for other purposes than indicated above, it can damage your IQ Touch Control beyond repair.



Audiconnections* (Option)

At the side panel in the bed compartment the connections for the audiosystem are located.

The image on the right displays these connections (Fig. 11). The bass speaker is located on the backside of the Q14 and need to be connected as in Fig.13.

In case you want your Q14 to have external audiosignal, connect this to the audio RCA “tulip connection” at this audioprint. The input sensitivity can be arranged with the potentiometer which is located next to this connection. Read the manual of the IQ Touch Control for more information.

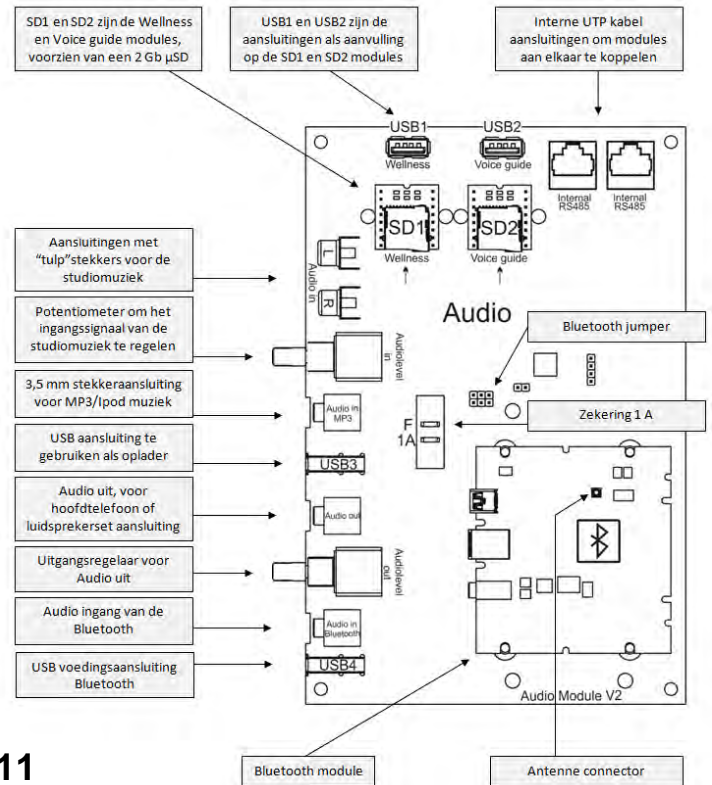


Fig.11

Your MP3 or iPod can be connected to the 3,5 mm plug (Fig. 12) and you can charge your smartphone with the USB connection.

The drawing on the next page show the connections and operating elements of the bass speaker. For more information, read the supplied user manual of the IQ Touch Control.

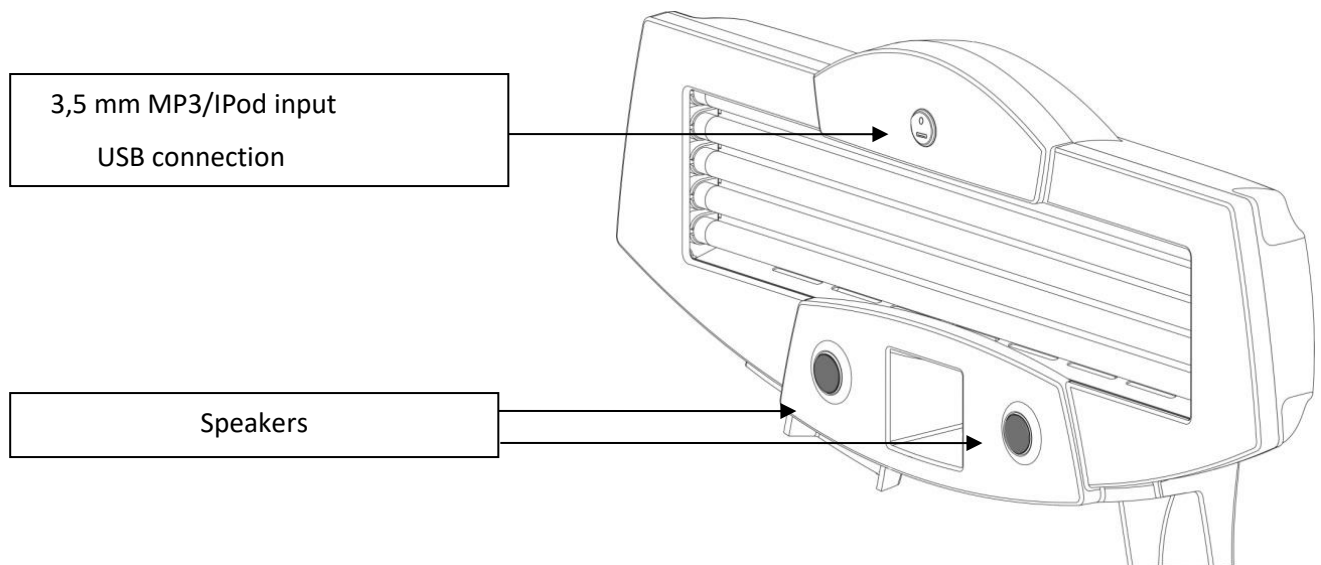


Fig.12

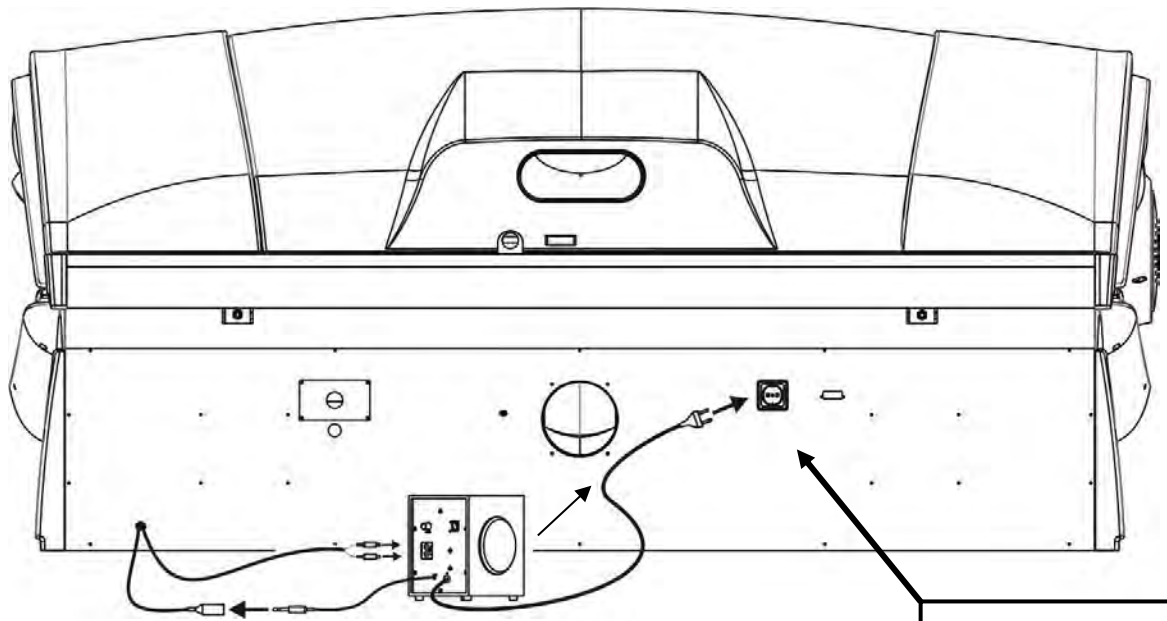
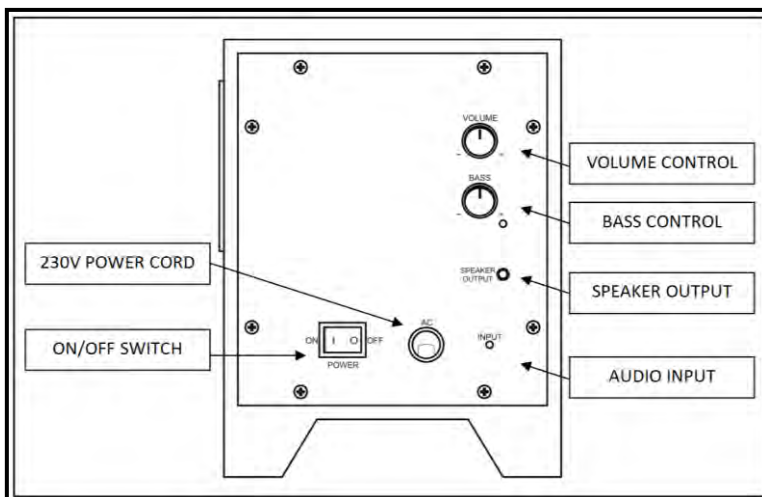


Fig.13

**230 V AC ONLY
FOR AUDIO !**



NOTE
It is advisable to adjust the Volume and the Bass control to halfway.
Please note that if you adjust the Volume and the Bass control to a higher level there is a possibility that the sound will be distorted, in longer terms this can damage your loudspeakers.

ATTENTION
Loud music can result in hearing problems!

Voice Guide, Wellness Sound And Bluetooth* (Option)

In case your Ultrasun Q14 is equipped with the Music Pro audio option, the possibility exists to extend this option and include Voice Guide, Wellness Sound or Bluetooth. In case this option is installed, this is automatically recognized by the IQ Touch Control timer and visible in the control display. Read the user manual of the IQ Touch Control timer for more information.

RGB Led Controller With IR Distance Control

The RGB controller consists of:

A. IR Remote Control

B. RGB Control Unit

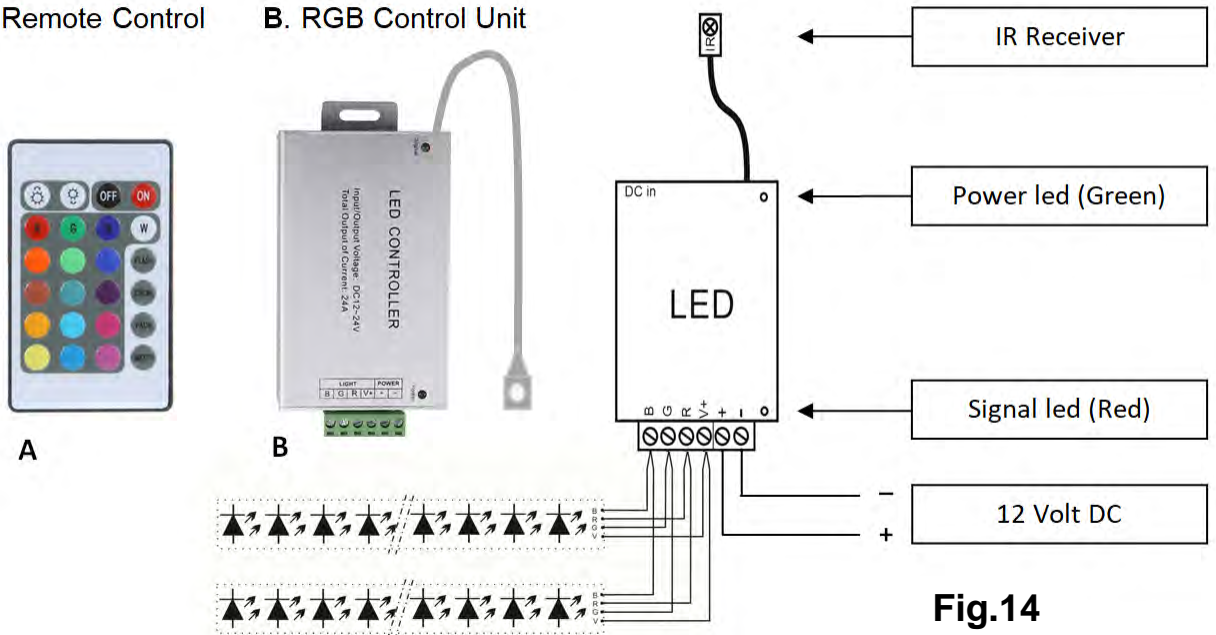


Fig.14

Your tanning device is equipped with a RGB led controller and a remote control with which you can control the colour settings of the Rainbow-led strip. With the led controller (Fig.1:A) you can set the colour changing, colour jumping, etc. and the colour can be set to static at any time. This system is applicable for 12V DC. The maximum current per color may not exceed 4 Amp. The electrical scheme for the led controller can be found in Fig.2

The remote control has 24 buttons, each having its own function:

Position and function of buttons on the IR remote:

brightness up / speed up	brightness down / speed down	off	on
static red	static green	static blue	static white
static orange	static pea green	static dark blue	7 colors jump
static dark yellow	static cyan	static magenta	white fade in/out (strobe)
static yellow	static light blue	static pink	7 colors change
static straw yellow	static sky blue	static purple	3 colors jump

The 16 “static” buttons give the opportunity for an immediate color selection, the other buttons have the following functions:

-Brightness up/speed up and Brightness down / speed down : if a static color is selected, the brightness can be changed to more or less bright. If another button is selected, the speed can be changed up or down .

-On and Off button : switches your RGB led controller on or off.

-7 color jump (FLASH): gives the opportunity to jump from color to color.

-White fade in/out (STROBE) : gives a strobe effect in white color.

-7 color change (FADE): gives the opportunity to run automatically through the color spectrum.-

3 color jump (SMOOTH): jumps through the three basic colors red, blue and green.

Be aware that the infrared transmitter should be directed to the receiver



Assembly Of The Airconditioning System* (Option)

In case your sunbed has an air-conditioning system, this can be removed in order to decrease the total weight of the tanning machine with approximately 40 Kg. The air-conditioning system has been placed in the “transport” position, later the system should be placed to the back of the machine before the tanning machine can be used.

First remove the water pump (Fig. 15:P) by disassembling the electrical connection where after the water pump can be removed from the airco system (the pump is attached to the air-conditioning with Velcro). The pump now can easily be placed aside or totally be taken out by disassembling the hose (Fig. 15:A). The plug of the air-conditioning needs to be disconnected. By unscrewing the two screws on both sides of the airco, the total air-conditioning system can be taken out. The water container (Fig.15:C) can, if desired, be taken out as well by disassembling the securing strap.

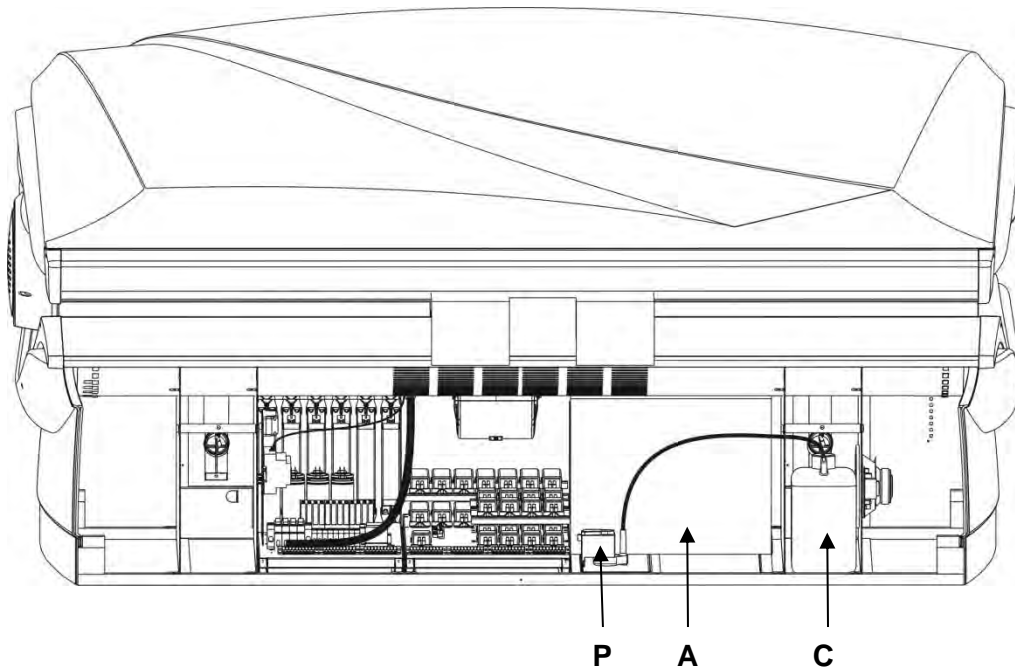


Fig. 15

The parts can be replaced and reconnected in reverse order, except for the airco system, which has to be placed and fastened as far as possible in the back of the bed. (The airco should be placed against the back plate. Make sure the power supply cable does not get oppressed). Use the other (pre-drilled) holes to attach the airco system to. At the backside of the sunbed the air input of the air-conditioning sticks out of the base (Fig. 16:U), to which the aerial conductor is connected. Between the aerial conductor (Fig. 16:U) and the ring (Fig. 16:Y) of 125 mm (4,93”) on the top of the sunbed, the hose with a diameter of 125mm (4,93”) needs to be connected (Fig. 7:L). The air-conditioning system is controlled via the IQ Touch Control. See for more details the manual of the IQ Touch Control.

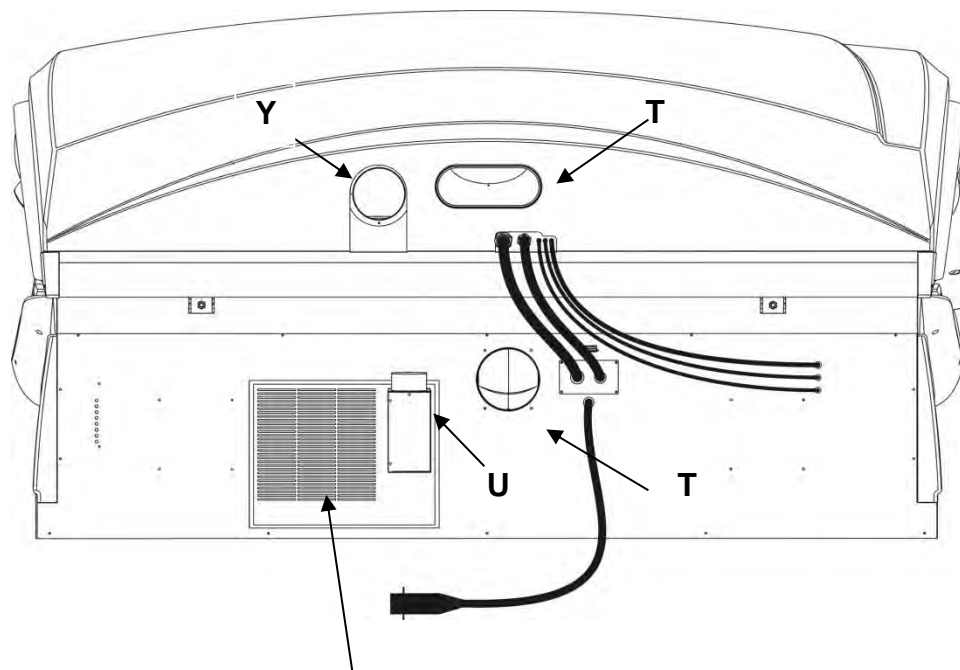


Fig. 16

ATTENTION: Do never cover the air exhaust of the air-conditioning and make sure the warm air can circulate freely.



The Breeze/Aroma System* (Option)



ATTENTION : Read the chapter: 'Replacing water and aroma bottle' before using the breeze/aroma system for the first time.

In the left part of the compartment of the bed the breeze/aroma system is located (Fig.17).

During transportation it is advisable to disconnect this system and take it out. If your sunbed is on the final location you should replace and reconnect the unit. Press the hoses firmly, by hand, into the concerned coupling, so they will not get loose by themselves. Connect the hoses as in Fig. 17.

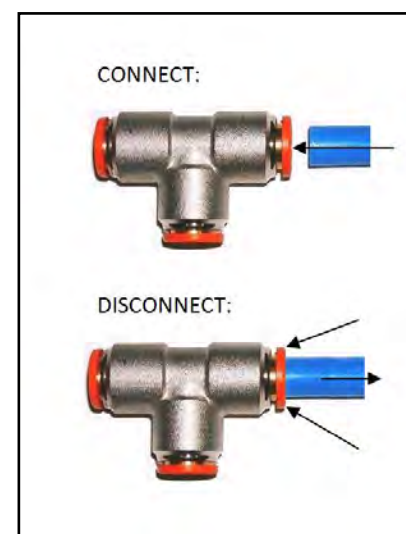


Fig. 17

Parts of the aroma/breeze system:

- A- Power supply 24 Volt
- B- Manometer (pressure meter)
- C- Manometer (adjustment)
- D- Pump (Compressor)
- E- Aroma bottle
- F- Distilled water tank
- G- Air tank
- H- Pressure adjustment
- I – Valves for breeze, aroma and air

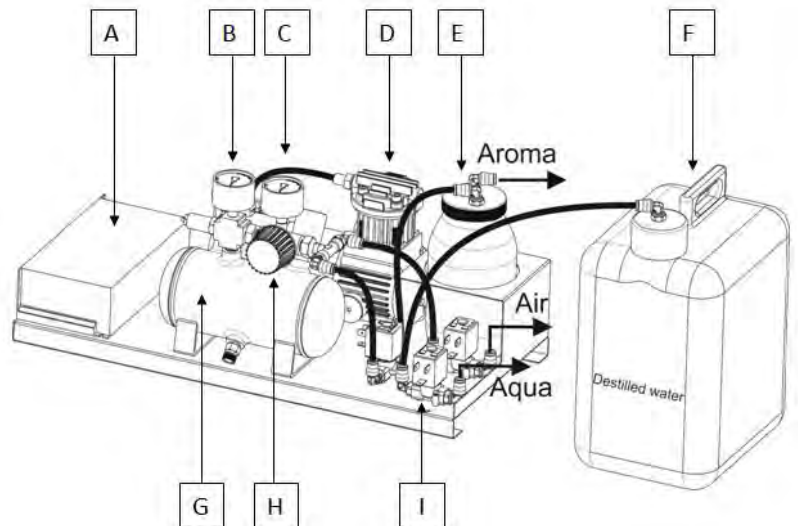


Fig. 18

Place the aroma bottle in the holder and remove the plastic caps (see Fig.19). Connect the hoses for the water (aqua), air and aroma, all the hoses are marked, look at Fig. 18 for detailed information. The hoses can be pressed into the concerned coupling, by hand, until it cannot be pressed anymore and it is fixed (See Fig. 17 : connect). When you want to loosen the hoses, press the ring where the hose is pressed in backwards, and pull the hose from the coupling at the same time . (See Fig. 17 : disconnect). Connect the other ends of the hoses to the backside of the Q14 (Fig. 13:T).

Make sure you follow these instructions in the correct order.

Now the electrical connection can be made by plug in the connector into the plug.

Replacing water and aroma bottle

It is necessary to refresh the contents of the water bottle with fresh, cooled, distilled water every week.

To replace the water or aroma bottle, open the plastic cover from the bed (Fig. 8:R) and you can get to the bottles. By holding the black covers and turning the glass bottle, the bottle can be replaced or filled. In case the aroma bottle is empty, it needs to be totally replaced with an original Aroma Refill Ocean 200 ml (Article number 3M0077).

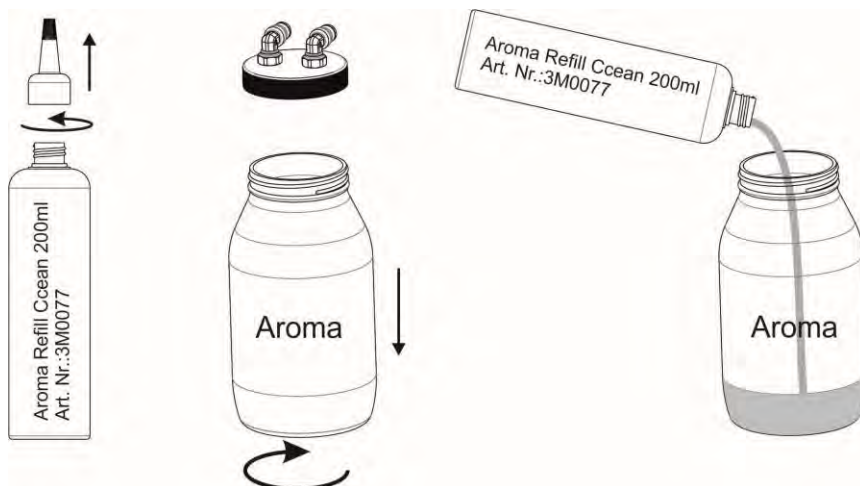


Fig. 19

Exposure Schedule And Instructions



Q14 UV4

RECOMMENDED EXPOSURE SCHEDULE		MAXIMUM EXPOSURE TIMES (IN MINUTES)			
CLASS	SKIN TYPES	week 1	week 2	week 3	week 4
I	Sensitive skin Burns easily and severely, and does not tan.	Tanning not advised			
	Light skin Burns easily and severely, and tans minimally.	4	6	8	9
III	Normal skin Burns moderately, and tans moderately.	4	7	10	12
IV	Dark skin Burns minimally, and tans well or above average.	4	8	12	15

Allow at least 48 hours between all exposures, tan maintenance: 1-2 times weekly
 MAXIMUM EXPOSURE TIME: 15 minutes

Q14 UV3 (0.3 W/m²)

RECOMMENDED EXPOSURE SCHEDULE		MAXIMUM EXPOSURE TIMES (IN MINUTES)			
CLASS	SKIN TYPES	week 1	week 2	week 3	week 4
I	Sensitive skin Burns easily and severely, and does not tan.	Tanning not advised			
	Light skin Burns easily and severely, and tans minimally.	6	10	15	20
III	Normal skin Burns moderately, and tans moderately	7	12	16	20
IV	Dark skin Burns minimally, and tans well or above average.	8	13	17	20

Allow at least 48 hours between all exposures, tan maintenance: 1-2 times weekly
 MAXIMUM EXPOSURE TIME: 20 minutes

Notice the following tanning rules for proper and safe use of your tanning device:

- The exposure time for first session must not be shorter than 1 minute.
- Follow the recommendations concerning exposure duration and exposure intervals
- Protect your eyes from visible and infrared radiation, take adequate precautions ! Always use the provided sunglasses!
- Do not sunbath and use the machine on the same day.
- This device is intended to be used by one person at a time!
- Lie on the sunlamp bed and lower the top section to its internally regulated stop point to attain this position. Any other position may result in overexposure.
- Always use the protective sunglasses provided.
- Remove cosmetics well in advance of exposure and do not apply any sunscreens.
- Do not undergo exposure when taking medicines or using cosmetics, which increase sensitivity to ultraviolet radiation. If in doubt, take medical advice.
- Follow the recommendations concerning exposure duration and exposure intervals.
- Seek medical advice if persistent lumps, sores or pigmented moles develop on the skin.

- Ultraviolet radiation from the sun or UV-machines can cause injury to skin or eyes. These biological effects depend upon the quality and the quantity of the radiation as well as the skin sensitivity of the individual.
- The skin may develop sunburn after an excessive exposure. Excessively repeated exposure to ultraviolet radiation from the sun or the machine may lead to premature ageing of the skin as well as increased risk of development of skin tumours.
- The unprotected eye may develop surface inflammation, and in some cases, damage may occur to the retina after excessive exposure. Cataracts may develop after many repeated exposures. Therefore: **always use the protective sunglasses provided.**
- This machine is not to be used by people burning without tanning when exposed to the sun, by people suffering from sunburn, by people suffering from or previously suffering from skin cancer or predisposed to skin cancer.
- Read this carefully: if unexpected side effects, such as itching, occur within 48 hours of the first session of using a UV appliance, medical advice should be sought prior to further UV exposure.
- This appliance is not to be used by people burning without tanning when exposed to the sun, by people suffering from sunburn, by people under the age of 18, or by people suffering from (or previously suffering from) skin cancer or predisposed to skin cancer.
- Do not undergo exposure when taking medicines or using cosmetics, which increase sensitivity to ultraviolet radiation. If in doubt, take medical advice.
- This appliance shall not be used by persons under medical care for diseases that involve photosensitivity or persons receiving photosensitizing medications.
- Seek medical advice if persistent lumps, sores or pigmented moles develop on the skin.
- Ultraviolet radiation from the sun or UV-machines can cause injury to skin or eyes. These biological effects depend upon the quality and the quantity of the radiation as well as the skin sensitivity of the individual.
- The unprotected eye may develop surface inflammation, and in some cases, damage may occur to the retina after excessive exposure. Cataracts may develop after many repeated exposures.
- Read this carefully: if unexpected side effects, such as itching, occur within 48 hours of the first session of using a UV appliance, medical advice should be sought prior to further UV exposure.
- The skin may develop sunburn after an excessive exposure. Excessively repeated exposure to ultraviolet radiation from the sun or the machine may lead to premature ageing of the skin as well as increased risk of development of skin tumours.
- Remove cosmetics well in advance of exposure and do not apply any sunscreens.
- According to basic standards your Ultrasun tanning equipment needs to be equipped with original parts and lamps. In every other case the guarantee is taken off as well as any responsibility and any liability.

Changing Lamps And Facial Bulbs

When effective life of your lamps and facial bulbs is over, or when there is an obvious decrease in the tanning results, it is necessary to change the lamps and facial bulbs.

ATTENTION: When changing lamps, first remove power supply, then remove the acrylic.



The top:

Remove the acrylic by taking out the synthetic strip from the front side. Lower the front side of the acrylic, preferably with two people, and then lift the back out of the profile of the top. You can now clean the acrylic and change the lamps. Turn the lamps by turning them in the lamp holder: let them “click” before you remove them. When changing lamps, also remove the dust from the machine (particularly around the fans) and clean the acrylics from the inside.

The bed:

Lift up the strip from the acrylic on one side and carefully loosen it over the full length. Once the strip is removed, the acrylic can simply be lifted and removed, preferably by two people. Remove the reflector parts on both sides and turn the lamps by turning them in the lamp holders: let them “click” before you remove them. When changing the lamps, also remove the dust from the machine (particularly around the fans) and clean the acrylics from the inside.

The facials:

When changing bulbs, the right side of the top on the outside must be disassembled. By removing the synthetic strip on the front and backside and the screw on the backside, the cover can be removed from the frame. The reflector with the facial bulb inside can be completely removed by turning the two screws (on both sides) out of the reflector.

At the same time the two wires of the facial bulb must be disconnected. The facial bulb can be removed out of the pinch-spring and replaced by a new one. **Do not touch the glass of the facial bulb with your fingers.** Remove the dust and clean the white and blue filter with a glass cleaning fluid.

ATTENTION: Make sure that the new lamps and facial bulbs are of the same type as the previous ones.



In order to keep your Ultrasun Q14 machine in compliance with the standard, you have to make sure to change lamps, components and accessories with original lamps, components and accessories only. Otherwise guarantee will be taken off as well as any responsibility and any liability.

Troubleshooting



- When your sunbed or part of it (top, bed or facial) does not function, please check
 - the fuses/differential switch of your main supply;
 - the connection to the main supply and fuse (Fig. 6);
 - the thermal switches (temperature safety), the broken-glass sensors for the facials and the switch of the bed-acrylic plate which are all checked by the IQ Touch Control and become visible on the display in case failures occur.
 - the (possible) plug connection between the different parts (for example the bed and top) (Fig. 2, 3 and 4);
- If one of the lamps does not function anymore, change it with the lamp next to it. In case two lamps next to each other do not function the possibility exists that there is a defect in the starter.
- If your facial tanner is out of function, please check the facial switch on the IQ Touch Control first. Changing the facials/ignitors usually gives an indication about the defect part;
- If the top does not stay in the required positions or it moves up and down by itself, the spring coils need to be adjusted in the compartments B1 and B2 (Fig.9);
- Switch off the power supply to the machine in case of:
 - working inside the sunbed;
 - fans are out of order;
 - technical failures;
 - any doubt of the nature of the failure;
- If the aroma/breeze system does not function, please check:
 - if the bottles are empty;
 - if the hoses or nozzles are obstructed or damaged;
 - if the fans which spread the aroma are still working;
 - the settings of the IQ Touch Control, read the corresponding user manual;
- If the airco does not function, please check the level of condensed water in the container (Fig.15:C). It is dependent upon the use of the sunbed and the humidity in the room how often the container needs to be emptied. In this case the icon on the display of the IQ Touch Control will be deactivated. This indicates that the container (Fig.15:C) is full with condensed water and needs to be emptied. Remove the front cover (Fig.1:CP), disconnect the plug of the pump (Fig. 15:P) and disconnect the hose of the airconditioning (Fig. 15:A). Remove the container and empty it. Return every part in reverse order;
- Please contact your technical service in case the problem cannot be solved with the above mentioned possibilities;



Maintenance

After 50 hours or at least after one month and then every 500 hours or 6 months:

- Visual inspection of all parts inside the sunbed;
- Remove dust and fluffs inside;
- Check the working of the whole machine;
- Control screws and nuts (if loose tighten);
- Clean the filters of the facials;

Always:

- Pay attention to strange noises in the sunbed;
- Clean the acrylics after every tanning session;
- Consult an authorised service agent in the event your Ultrasun machine has a failure.

Service Parts

Besides that this Ultrasun Q14 is equipped with high quality parts, there is a possibility that parts get exposed to mechanical erosion. When this happens these parts need to be replaced. In the table "Technical product information" specific article numbers of the lamps and facial burners are mentioned. In the separately enclosed scheme the article numbers of the electrical parts are mentioned in the inscription. Below other parts are listed that can be ordered with their related article numbers.

Q14 :

Art. nummer	Artikel	UV3/UV4
2B6205	Bluefilter for facial : MUG6+– 205x270x3 mm	
2W0031	Whitefilter for facial UV 4: SunFlex 4 – 205x270x4 mm	UV 4
2W0020	Whitefilter for facial UV 3: 320 – 205x270x4 mm	UV 3
2Z0100	UV eye protection sunglasses special for IQ Touch Control	
5A0451	Acrylic plate for bed: 4mm	
5A0461	Acrylic plate for top: 3mm	
5A3014	Acrylic plate for shouldertanner: Model Q14	
5M0012	Acrylic cushion transparent	
5R0039	Synthetic profile – length 2039mm	
5R0059	Synthetic profile – length 2059mm	
5R0064	Synthetic profile – length 2064mm	
2P0050	Paytronic payment system	

Many parts can be recycled, so keep them separate and do not dispose of them.



In order to keep a good overview of failures and ensuing repairs, we suggest you to register all notifications in the table on this page. Do not register messages that appear on the IQ Touch Control, these are stored in the timer memory and can be read out in parameter 180. Enter all information as completely as possible in the table on the next page, so that you keep a good overview of the history of your Ultrasun Q14.

Date	Failure	Replaced parts	Repaired by	Date
- -				- -
- -				- -
- -				- -
- -				- -
- -				- -
- -				- -
- -				- -
- -				- -
- -				- -
- -				- -
- -				- -
- -				- -
- -				- -
- -				- -
- -				- -
- -				- -
- -				- -
- -				- -
- -				- -
- -				- -
- -				- -
- -				- -
- -				- -
- -				- -
- -				- -
- -				- -
- -				- -
- -				- -
- -				- -
- -				- -
- -				- -
- -				- -
- -				- -
- -				- -
- -				- -
- -				- -
- -				- -
- -				- -
- -				- -
- -				- -
- -				- -
- -				- -

Cleaning The Airco Air Filter

WARNING: Be sure to turn off the main power supply before commencing maintenance work.

- Turn off the unit;
- Dismantle the airco as described in the (dis)assemble instructions;
- Take the front panel out by pressing the lower corners of the front panel;
- Remove the air filter from the unit;

CAUTION: Do not use abrasive powders, thinner, benzene or hot water to clean the unit.

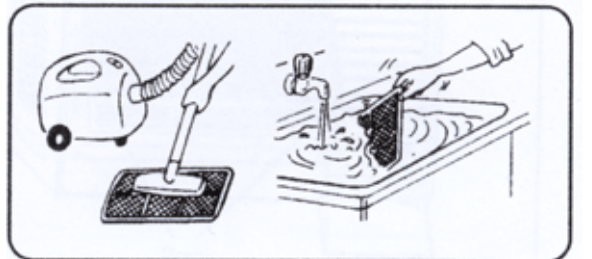
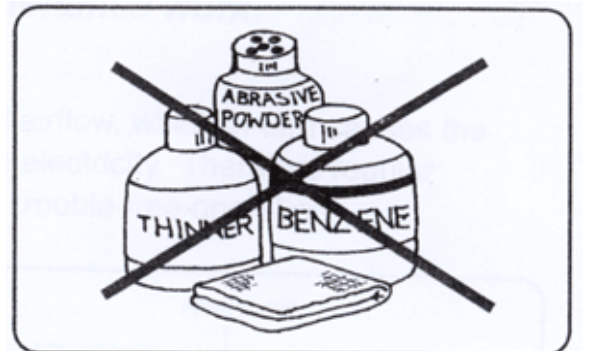
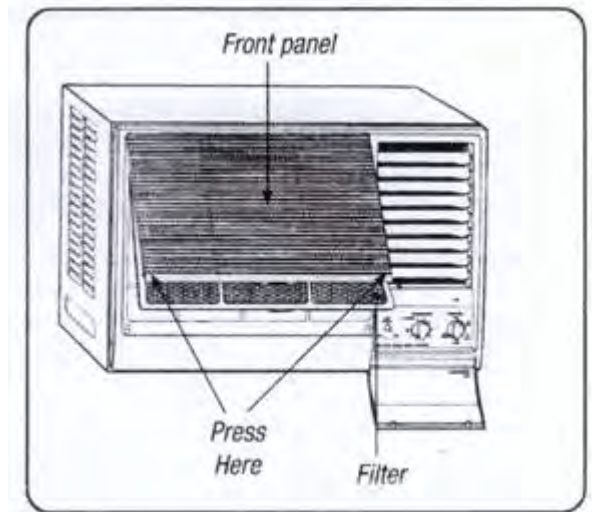
- Vacuum the filter or wash the filter in warm water;
- Do not use water above 40°C / 104° F for cleaning, as this will cause discoloration and deformation;
- Let the filter dry thoroughly before reinstalling it;
When installing the filter, be sure to install the filter with the word "FRONT" facing you;

Cleaning front cover, air deflector and front panel:

- Always use a soft cloth or sponge with lukewarm water and mild detergent to clean the front cover, air deflector and front panel;
- Do not use a water hose to clean the unit;

Removing the air filter

A dirty air filter will cause the reduction of airflow, which in turn causes the unit to overload and also consumes more electricity. Therefore regular cleaning is necessary for an efficient and trouble-free operation.

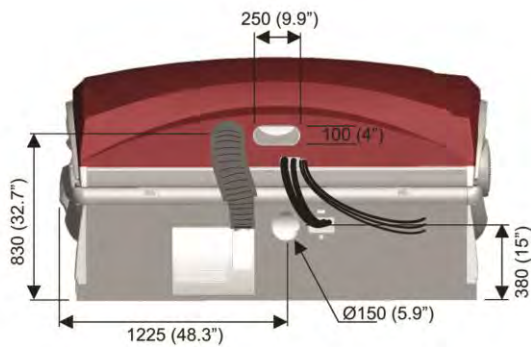
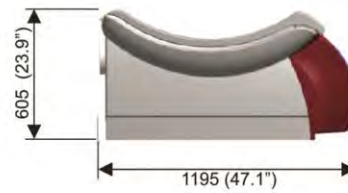
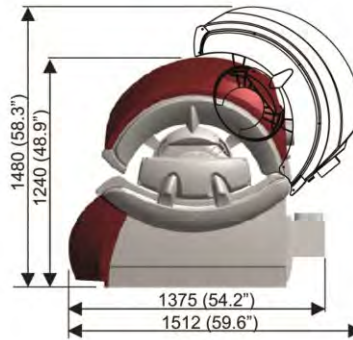
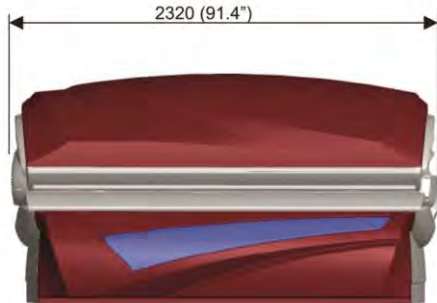


Technical Information And Lamp Configuration

SUNBED TYPE	Ultrasun Q14 High	Ultrasun Q14 High
UV-Type (conform EN 60335-2-27)	4	3
Facial Lamps	3 x Sunfit WL 500W	3 x Sunfit WL 500W
Article number	2H6500	2H6500
Shouldertanner Lamps	5 x Sunfit S 25W	5 x Sunfit S 25W
Article number	2L0023	2L0023
Equivalency code	25-O-12/4,0	25-O-12/4,0
Top Lamps	22 x Sunfit X E-Tronic 100W	22 x Sunfit X3 E-Tronic 100W
Equivalency code	100-O-46/8,6	100-O-22/4,3
Article number	2L3101	2L3102
Base Lamps	18 x Sunfit XL E-Tronic 120W	18 x Sunfit XL3 E-Tronic 120W
Equivalency code	120-O-58/9,3	120-O-28/4,6
Article number	2L3120	2L3123
Fuse*	3 x 16 A (slow)	3 x 16 A (slow)
Power Supply	3 x 400V+N+PE 50/60Hz	3 x 400V+N+PE 50/60Hz
Power circa (with airco)	6.600 (7.600) Watt	6.700 (7.600) Watt
Weight circa (with airco)	240 (295) Kg	240 (295) Kg

SUNBED TYPE	Ultrasun Q14 Magnum	Ultrasun Q14 Magnum
UV-Type (conform EN 60335-2-27)	4	3
Facial Lamps	2 x Sunfit WL 500W	3 x Sunfit WL 500W
Article number	2H6500	2H6500
Facial Lamp	1 x Sunfit WL 1500W	-
Article number	2H7500	-
Shouldertanner Lamps	5 x Sunfit S 25W	5 x Sunfit S 25W
Article number	2L0023	2L0023
Equivalency code	25-O-12/4,0	25-O-12/4,0
Top Lamps	22 x Sunfit VRX E-Tronic 160	22 x Sunfit VRX3 E-Tronic 160
Article number	160-R-123/9,1	160-R-40/2,7
Equivalency code	2L3260	2L3263
Base Lamps	18 x Sunfit VX E-Tronic 180W	18 x Sunfit VX3 180W
Equivalency code	2L3180	2L3183
Article number	180-O-70/11,5	180-O-27/4,1
Fuse* (with airco)	3 x 16 A (3 x 25 A)	3 x 16 A (3 x 25 A)
Power Supply	3 x 400V+N+PE 50/60Hz	3 x 400V+N+PE 50/60Hz
Power circa (with airco)	9.000 (10.000) Watt	8.500 (9.500) Watt
Weight circa (with airco)	270 (310) Kg	270 (310) Kg

Dimensions - Grundabmessungen - Afmetingen - Dimensions



All dimensions in mm.
Between brackets in inches.

DISCLAIMER

Ultrasun pays close attention to the quality of its products. This also applies to the information in this user manual. Ultrasun reserves the right to change the content of this manual at any time. Though Ultrasun strives to always display the correct texts and images in her manuals, errors can occur. We cannot be held responsible for any errors in writing or printing. We kindly ask you to report any discrepancy using the contact details at the back of this user manual.

Thank you.

Intentionally left blank

DECLARATION OF CONFORMITY

Directive 2014/35/EU and 2014/30/EU

We, **Ultrasun International**
Granaatstraat 6
7554 TR HENGELO, Holland

declare that this Ultrasun Q14 is in conformity with the actual version of the following normative documents:

Applied harmonized Standards:

Safety: EN 60335-1
Safety: EN 60335-2-27
EMC: EN 55014-1 and EN 55014-2
EMC: EN 61000-3-2 and EN 61000-3-3

following the provisions of the following directives:

IEC-Directives: Low Voltage Directive
2014/35/EU
Electromagnetic Compatibility Directive
2014/30/EU

Issued by:



J.W.S Fabels
CEO Ultrasun International
Hengelo, August 2016



Manual
IQ Touch Control
& Scheme Sheet
are supplied
separately

Ultrasun Identification



Granaatstraat 6
7554 TR Hengelo
The Netherlands



+31 (0)74 2912215



info@ultrasun.nl



UltrasunInternational.com