

# OUT WITH THE OLD AND IN WITH THE NEW



## THE TOWER PURE ENERGY 5.0

The KBL Tower pureEnergy 5.0 offers a combination of unprecedented, exclusive characteristics. Ultimate tanning results by maximum power for users and reduced energy consumption and heat development.





UV LAMPS



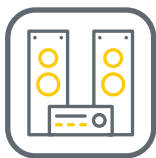
EASY CONTROL



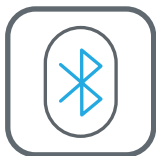
COLOR MOTION



BODY COOL



SOUND SYSTEM



BLUETOOTH



MEGA VOICE



VIBRANANO\*

# TECHNICAL DATA – TOWER PURE ENERGY 5.0

|                    |   |
|--------------------|---|
| Power consumption: | 9 kW  |
| Weight:            | ~777 lbs without central exhaust-air module<br>~865 lbs with central exhaust-air module |
| Floor plate:       | 330 lbs (max. load capacity)  |

## ELECTRICAL REQUIREMENTS

|                              |                                |
|------------------------------|--------------------------------|
| Power connection:            | rear side left                 |
| Protective class:            | IP20                           |
| Mains voltage:               | 3-phase: 3 x 220 V / ~ / 60 Hz |
| Wire cross section:          | 3-phase: 4 x AWG8              |
| Circuit breaker recommended: | 3-phase: 3 x 40 A              |

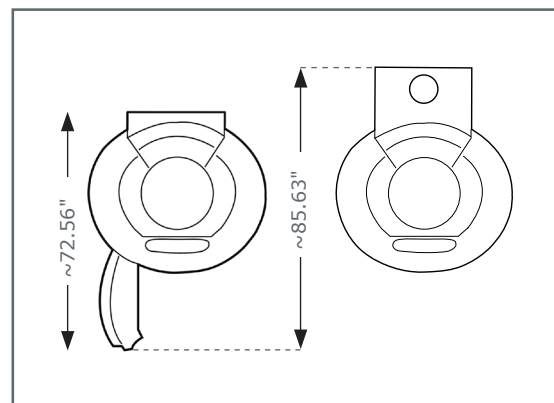
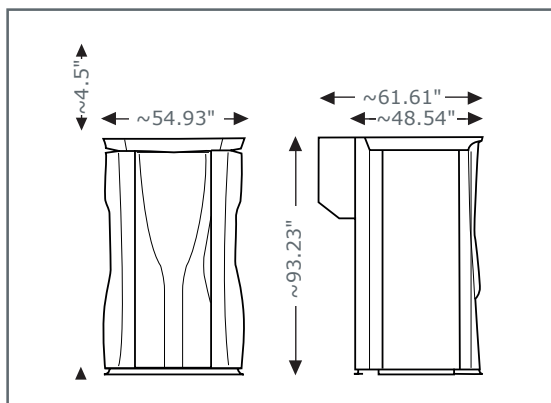
All tanning devices with Class-A ground fault circuit interrupter GFCI.

## CENTRAL EXHAUST AIR DISCHARGE

|                                |                                  |
|--------------------------------|----------------------------------|
| Fan:                           | Exhaust-air socket Ø ~11.81 inch |
| Minimum exhaust air flow rate: | 528344 gal/hour                  |
| Exhaust-air hose:              | Ø ~11.81 inch                    |

## DIMENSIONS

|                             |   |
|-----------------------------|---|
| Recommended roomsize:       | 7' x 7'   |
| Dimensions in inch (HxWxD): | 93.23 x 54.93 x 48.55 (closed)                      |
|                             | With central exhaust-air module -> depth plus 13.07 |
|                             | 93.23 x 54.93 x 72.56 (opened)                      |



\*optional

Contraindication: This product is contraindicated for use on persons under the age of 18 years. "Contraindication: This product must not be used if skin lesions or open wounds are present." "Warning: This product should not be used on individuals who have had skin cancer or have a family history of skin cancer." "Warning: Persons repeatedly exposed to UV radiation should be regularly evaluated for skin cancer."