

OUT WITH THE OLD AND IN WITH THE NEW



THE SOLARIUM 5600 ALPHA

With its clear dynamic proportions and refined details, the KBL 5600 alpha offers everything you can expect from a top class device – great variety at a competitive price.



UV LAMPS



GLASS FACIAL SYSTEM



EASY CONTROL



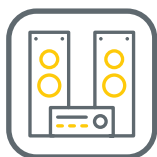
COLOR MOTION



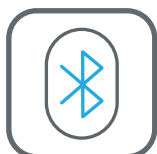
AIR CONDITION



AQUA COOL



SOUND SYSTEM



BLUETOOTH



MEGA VOICE



CPI

TECHNICAL DATA – 5600 ALPHA

Power consumption:	12 kW
Weight:	~1256 lbs (with air conditioning)
Bench pane:	330 lbs (max. load capacity)

ELECTRICAL REQUIREMENTS

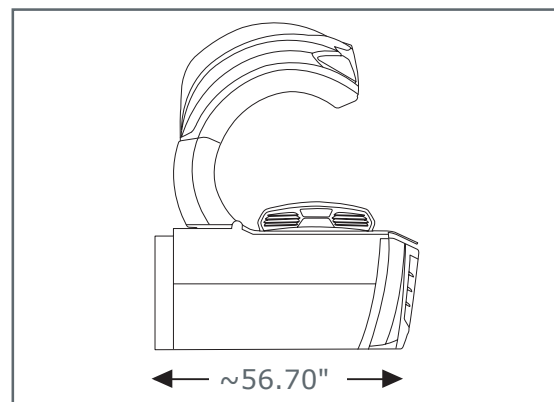
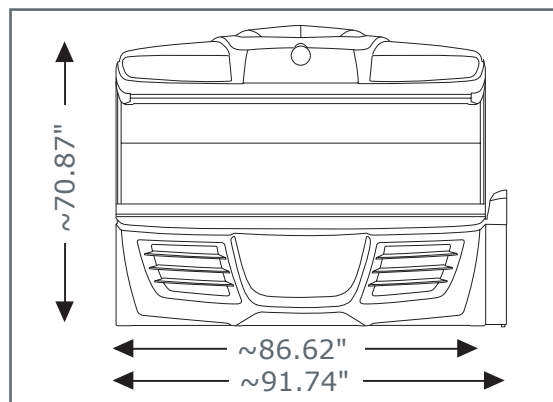
Power connection:	rear side left
Protective class:	IP20
Mains voltage:	3-phase: 3 x 220 V / ~ / 60 Hz
Wire cross section:	3-phase: 4 x AWG8
Circuit breaker recommended:	3-phase: 3 x 40 A
All tanning devices with Class-A ground fault circuit interrupter GFCI.	

CENTRAL EXHAUST AIR DISCHARGE

Fan:	Exhaust-air socket Ø ~11.81 inch Height to top ~ 70.8 inch (with and without hot air recirculation)
Minimum exhaust air flow rate:	594400 gal/hour
Exhaust-air hose:	Ø ~11.81 inch

DIMENSIONS

Recommended roomsize:	8' x 9'
Dimensions in inch (HxWxD):	~58.27" x ~91.74" x ~63.39" (closed) ~70.87" x ~91.74" x ~56.70" (open)



Contraindication: This product is contraindicated for use on persons under the age of 18 years. "Contraindication: This product must not be used if skin lesions or open wounds are present." "Warning: This product should not be used on individuals who have had skin cancer or have a family history of skin cancer." "Warning: Persons repeatedly exposed to UV radiation should be regularly evaluated for skin cancer."