

OUT WITH THE OLD AND IN WITH THE NEW



THE LUXURIOUS POWERHOUSE 8000 ALPHA HYBRIDSUN

The Top of the Line is our KBL 8000 hybridSun. Combining elegant yet modern design with unmatched tanning performance. Your customers will love it!



UV LAMPS



GLASS FACIAL SYSTEM



BEAUTY BOOSTER



X-TRA TAN



INTELLIGENT CONTROL SYSTEM



EASY CONTROL



COLOR MOTION



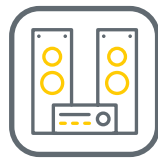
AIR CONDITION



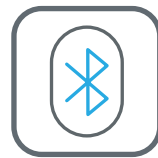
AQUA COOL



AROMA



SOUND SYSTEM



BLUETOOTH



MEGA VOICE



CPI

TECHNICAL DATA – 8000 ALPHA HYBRIDSUN

Power consumption:	14 kW
Weight:	~1367 lbs (with air conditioning)
Bench pane:	330 lbs (max. load capacity)

ELECTRICAL REQUIREMENTS

Power connection:	rear side left
Protective class:	IP20
Mains voltage:	3-phase: 3 x 220 V / ~ / 60 Hz
Wire cross section:	3-phase: 4 x AWG6
Circuit breaker recommended:	3-phase: 3 x 50 A

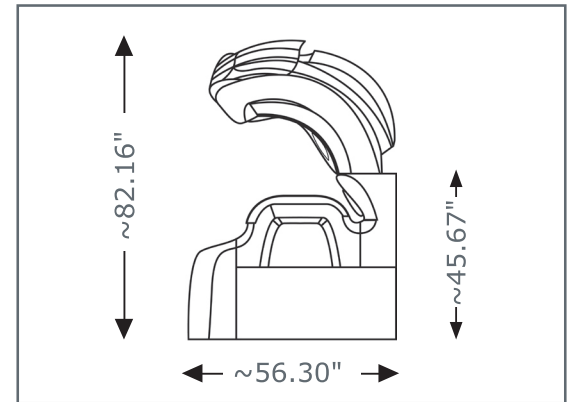
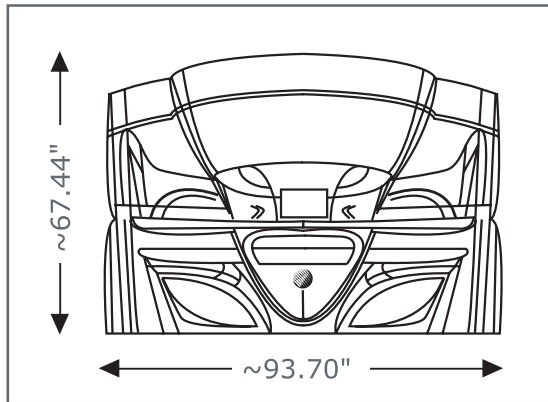
All tanning devices with Class-A ground fault circuit interrupter GFCI.

CENTRAL EXHAUST AIR DISCHARGE

Fan:	Exhaust-air socket ~11.81 inch - 82.48 inch (top)
Minimum exhaust air flow rate:	2250m ³ /h (594400 gal/hour)
Exhaust-air hose:	Ø ~11.81 inch

DIMENSIONS

Recommended roomsize:	9W x 10W
Dimensions in inch (HxWxD):	~93,86" x ~56,34" x ~60,59" (closed) ~93,86" x ~56,34" x ~80,24" (open)



Contraindication: This product is contraindicated for use on persons under the age of 18 years. "Contraindication: This product must not be used if skin lesions or open wounds are present." "Warning: This product should not be used on individuals who have had skin cancer or have a family history of skin cancer." "Warning: Persons repeatedly exposed to UV radiation should be regularly evaluated for skin cancer."